

# ASSEMBLY INSTRUCTION

- Description: Jack and Jill Set

Page 01 of 02

## Hardware List



A x 18pcs  
F-Screw M7x70



B x 04pcs  
Bolt M6x45

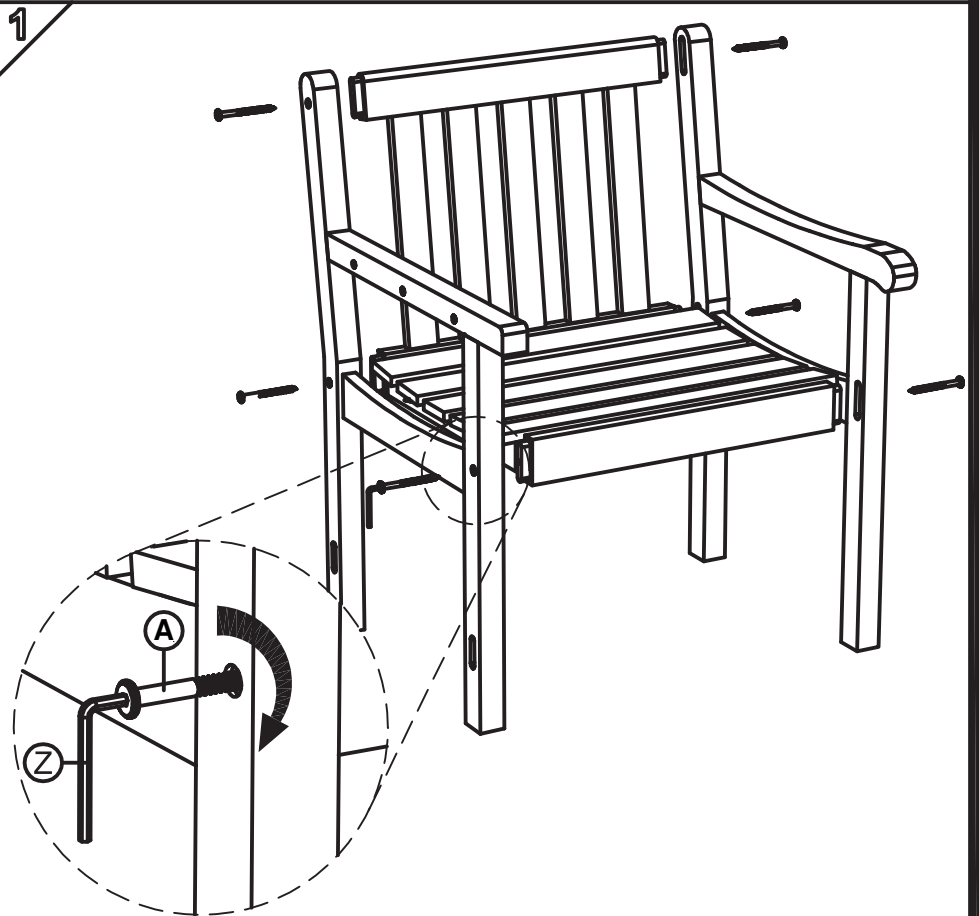


C x 08pcs  
Screw 6x35

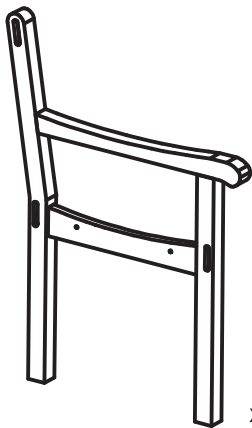


Z x 01pcs,  
Allen key M4

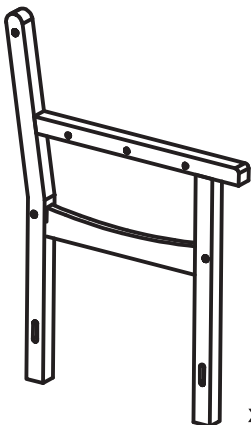
1



## Component List

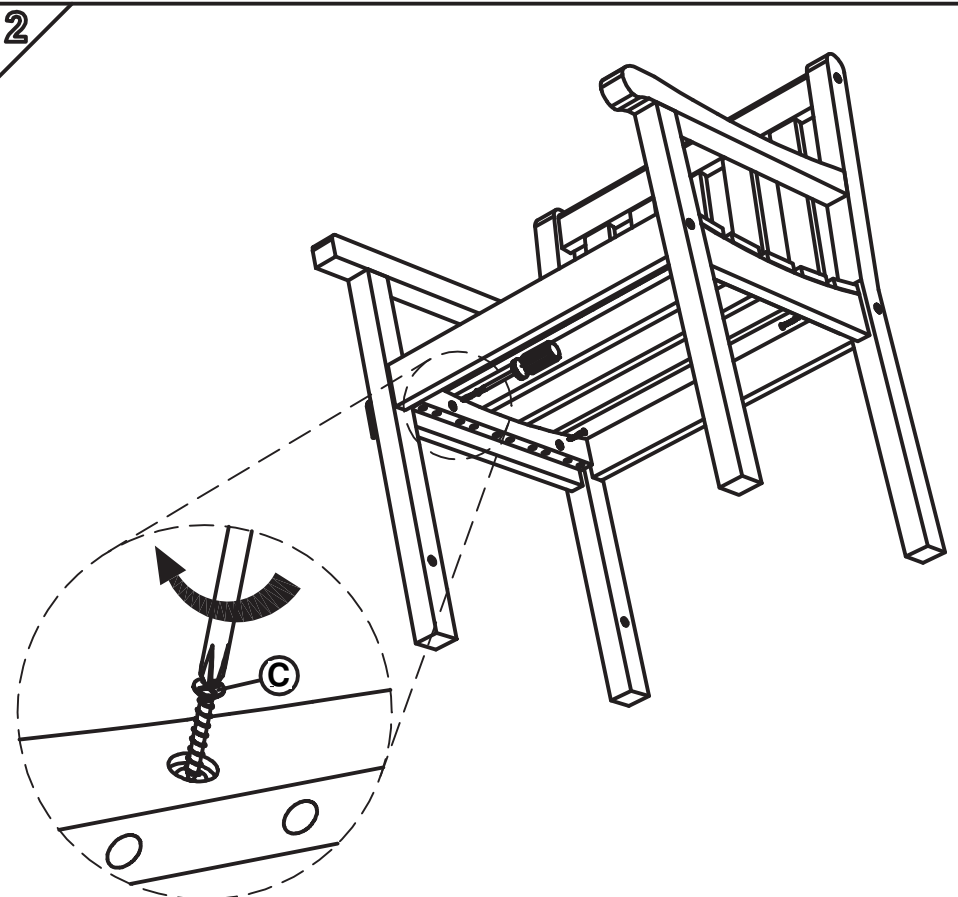


x2

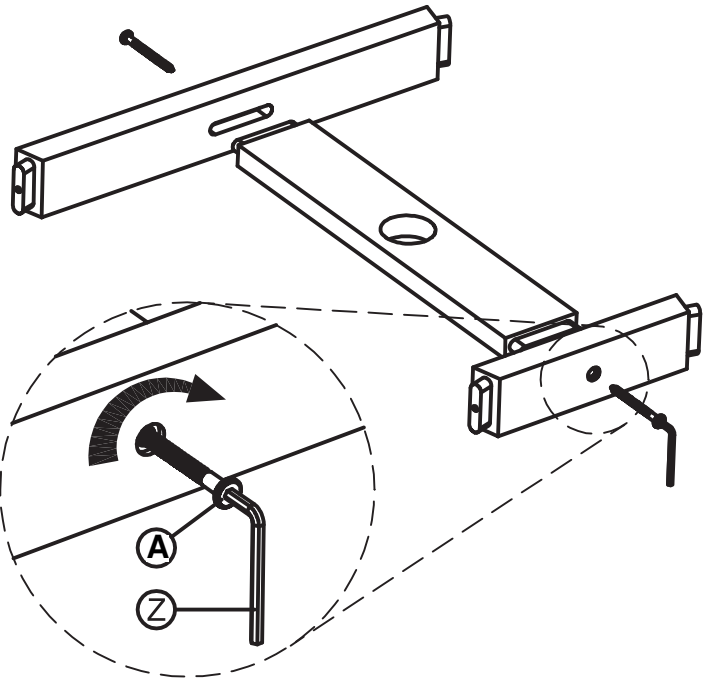
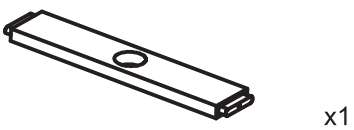
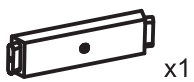
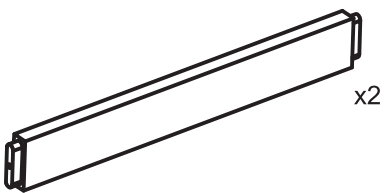
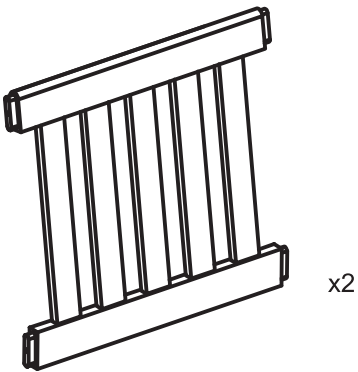
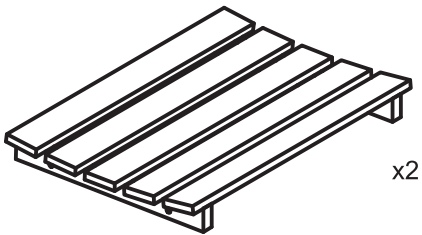
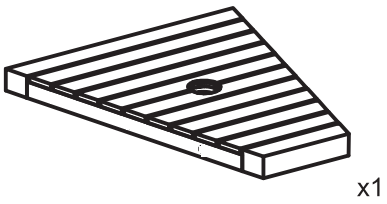


x2

2



3



4

