

Part # DC-MARCL XX+XX

18-1010

PARTS

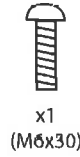
A



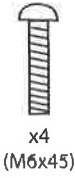
B



C

x1
(M6x30)

D

x4
(M6x45)

E

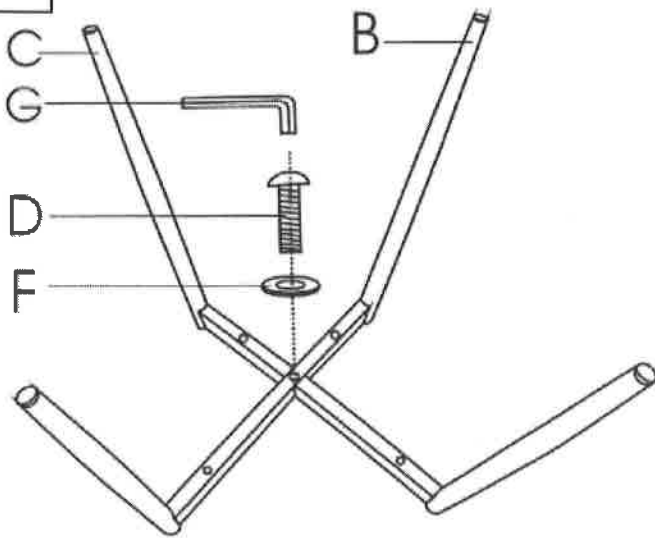
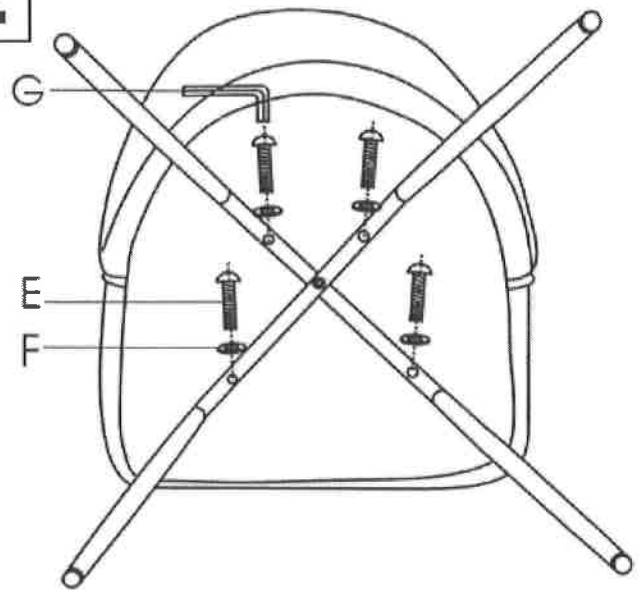


x5

F



G

1**2****3**

Do not over tighten.
Do not use power tools to assemble.