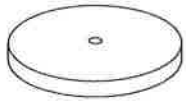


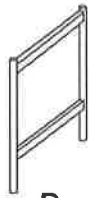
Part # B17-CHLOE-XX+XX

17-0901

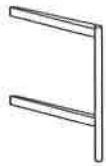
PARTS



A



B



C



x2

D

x8
(m6 x 14mm)

E

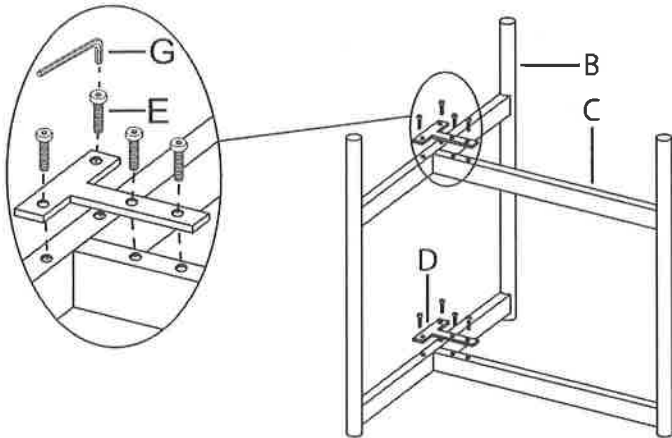
x3
(m6 x 35mm)

F



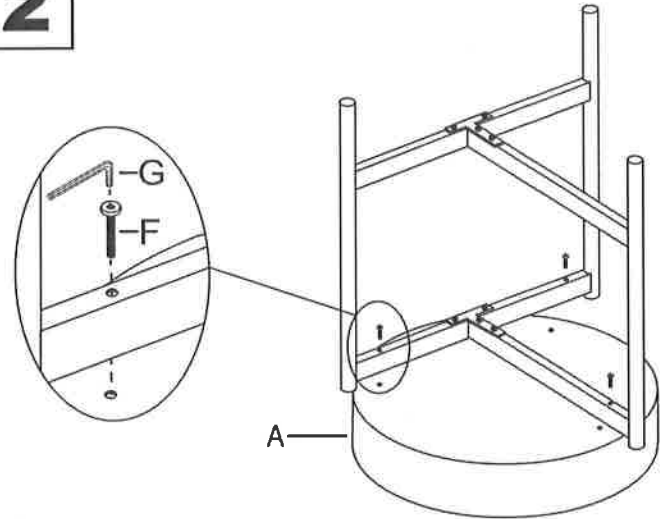
G

1



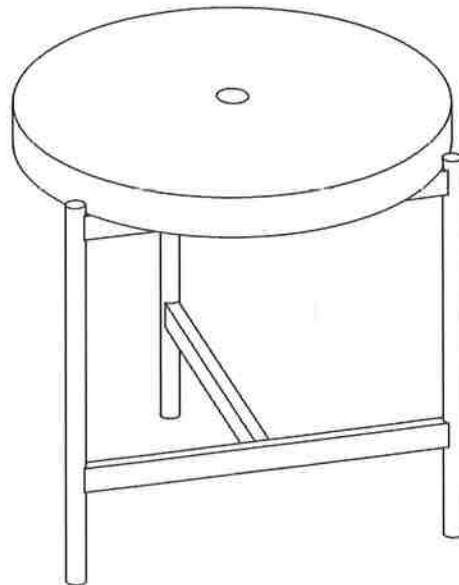
! **80%**
tighten

2



! **100%**
tighten

3



Do not over tighten.
Do not use power tools to assemble.