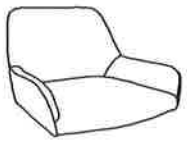


Part # B24-DNLA XXXX

19-0103

PARTS



A



B



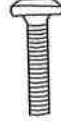
C



x2
D



x4
E



x6
F

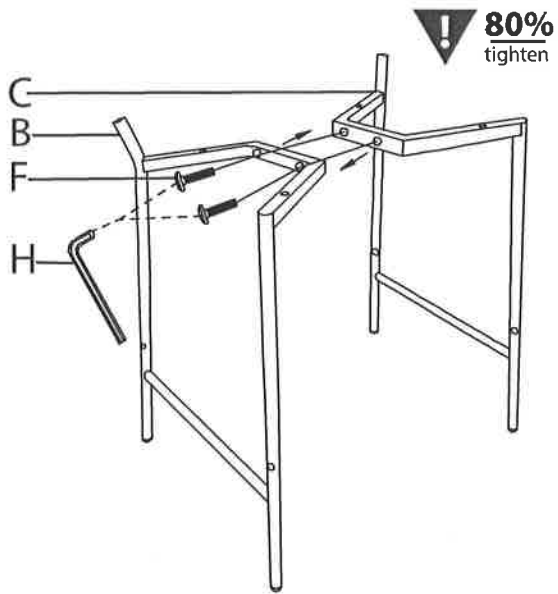


x4
G

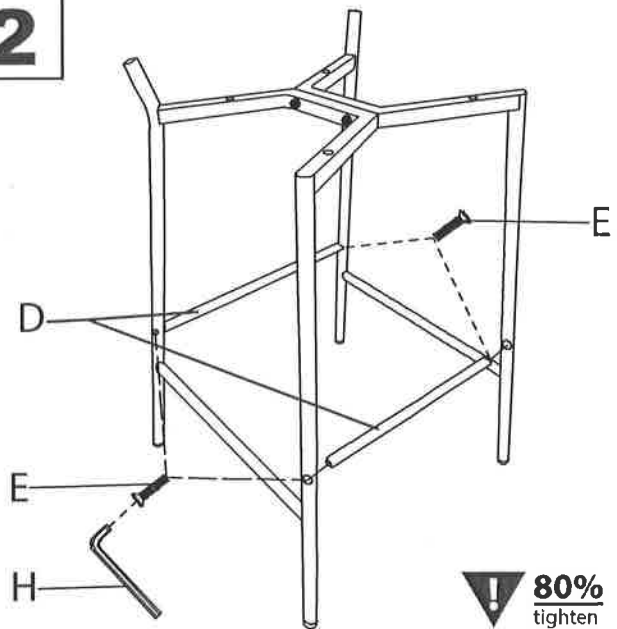


x1
H

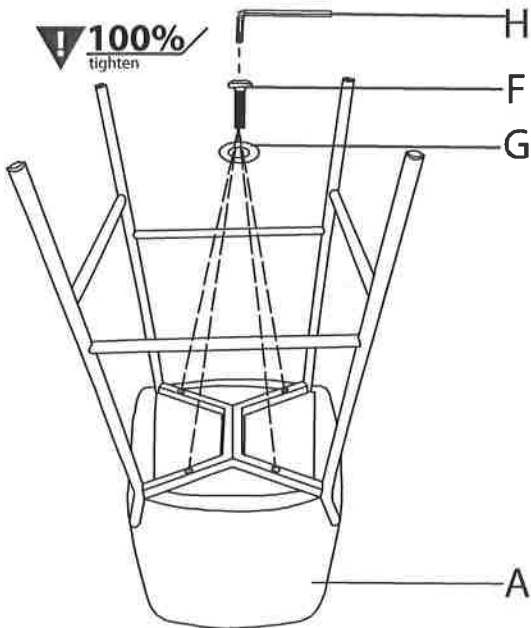
1



2



3



4



Do not over tighten.
 Do not use power tools to assemble.