

Marcel Counter Stool

Part # B25-MRCL XX+XX

19-0227

PARTS



A



B



C



D



(M6x30mm)
x2
E



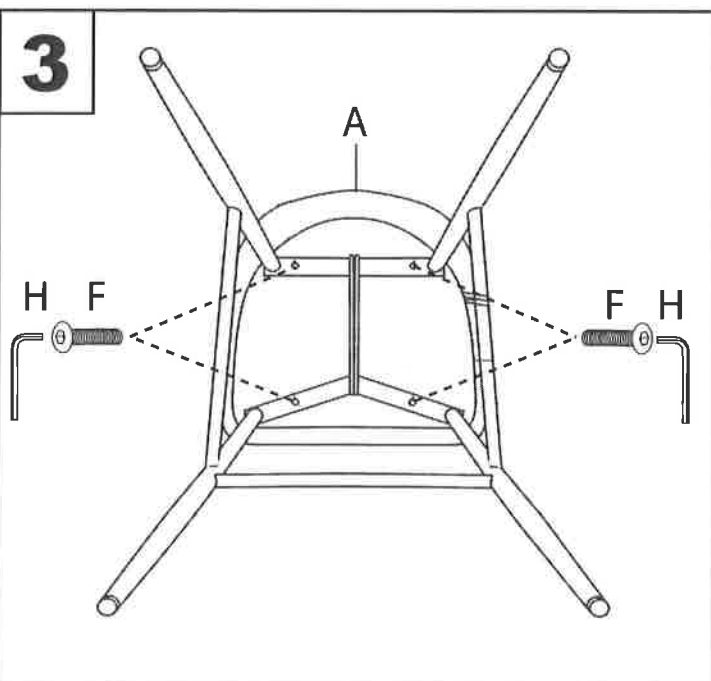
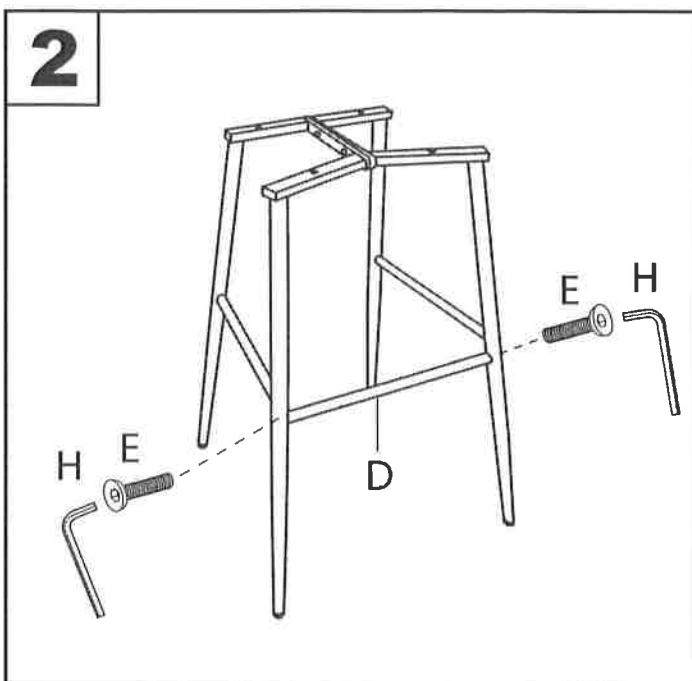
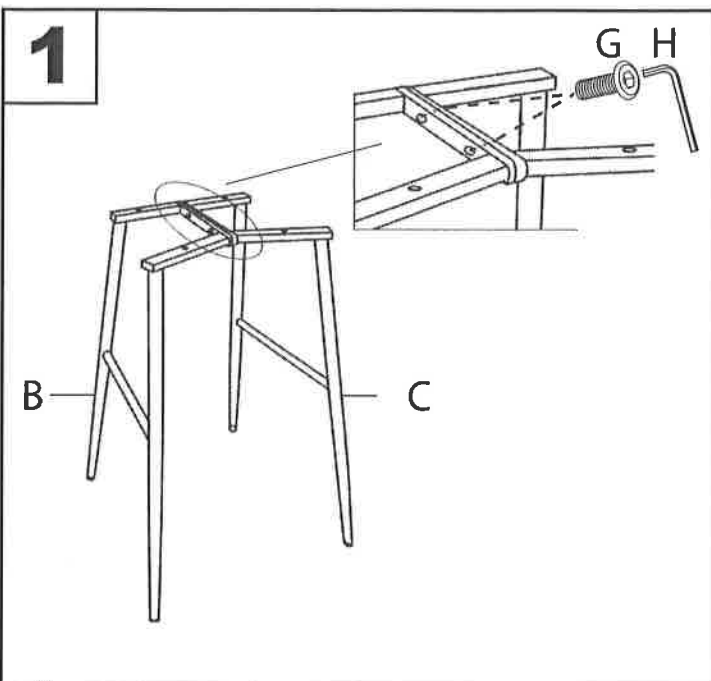
(M6x30mm)
x4
F



(M8x14mm)
x2
G



(M6)
H



Do not over tighten.
 Do not use power tools to assemble.