

Saddle Counter Stool

Part # B26-SADL XX+XX

18-0724

PARTS



(A1 + A2)

A



B



x4

C



(6*25*2MM)

x4

D



(M6*18MM)

x4

E



(M6*30MM)

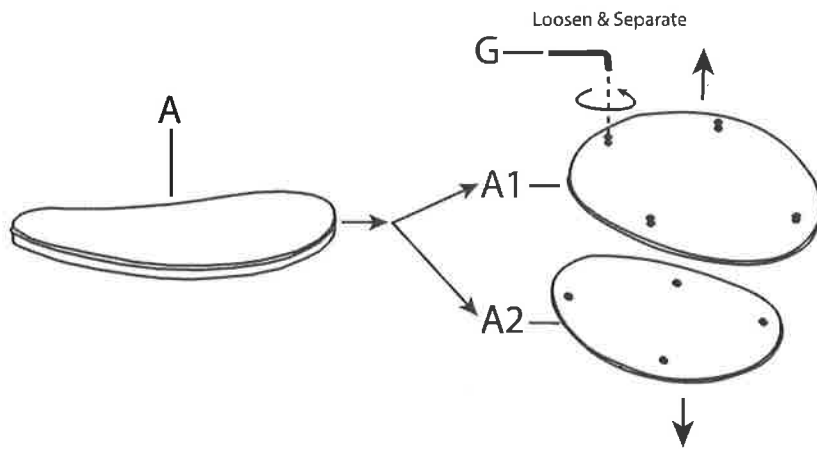
x8

F

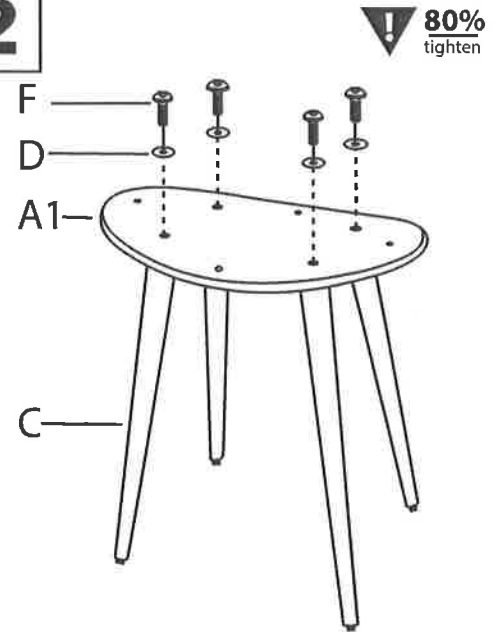


G

1

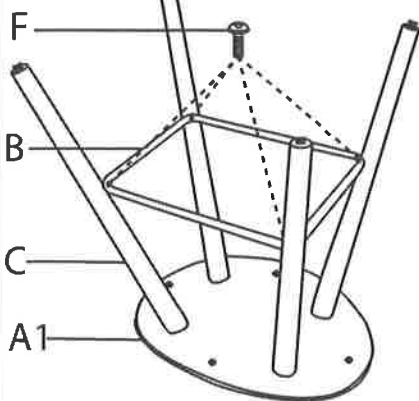


2



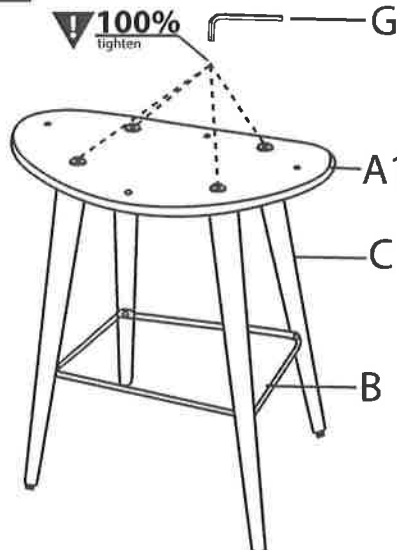
3

100%
tighten

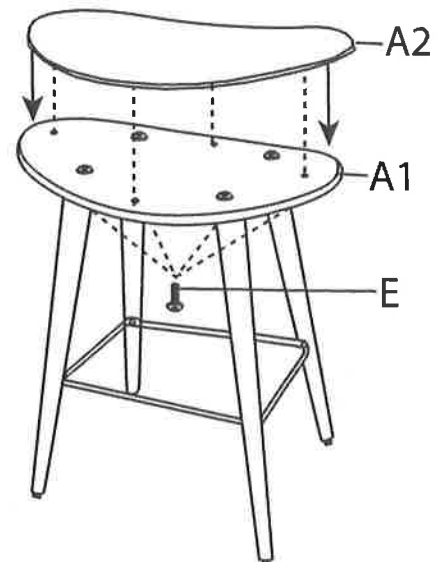


4

100%
tighten



5



Do not over tighten.
Do not use power tools to assemble.