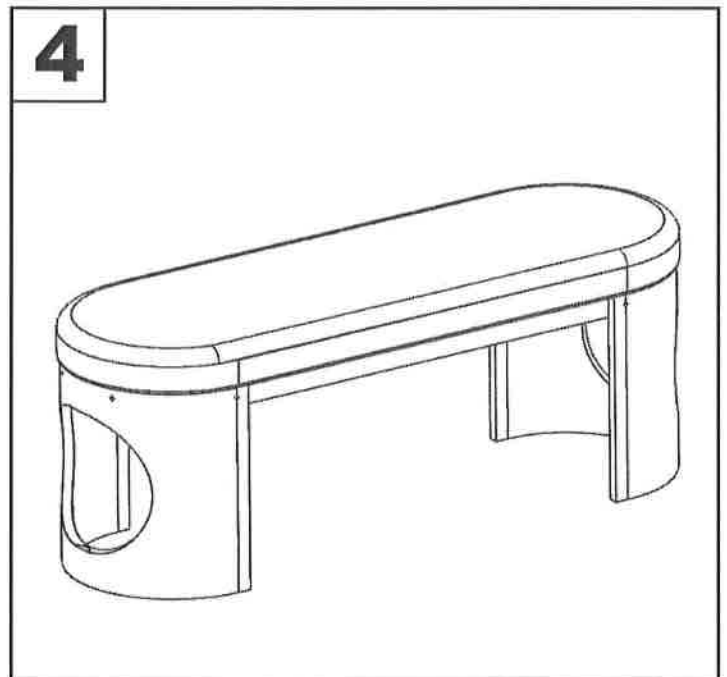
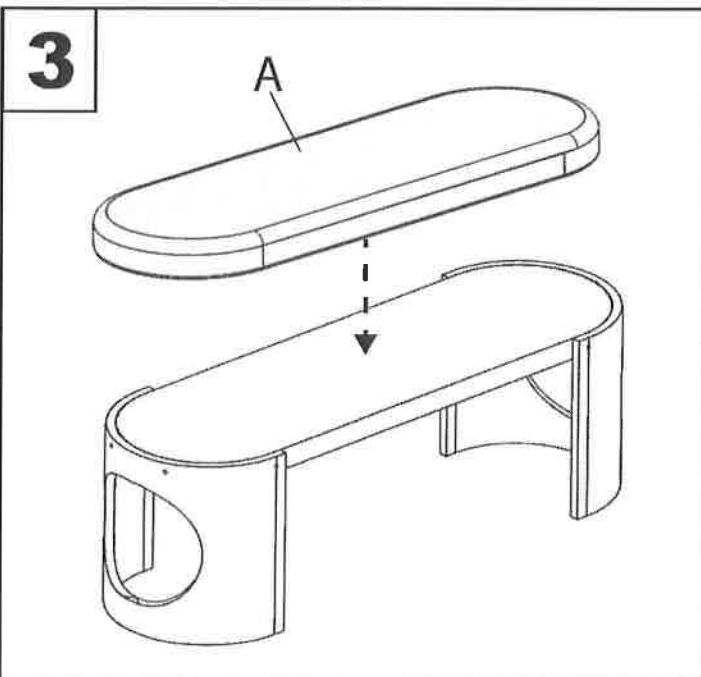
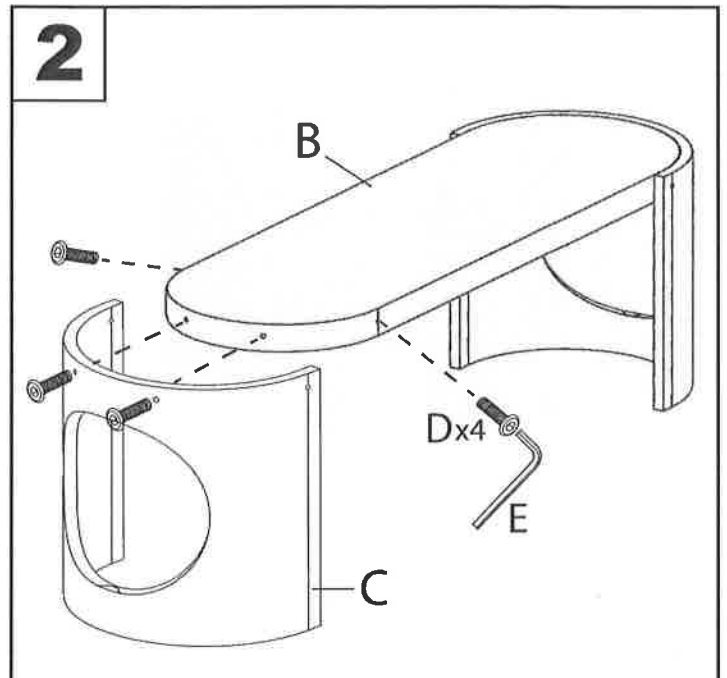
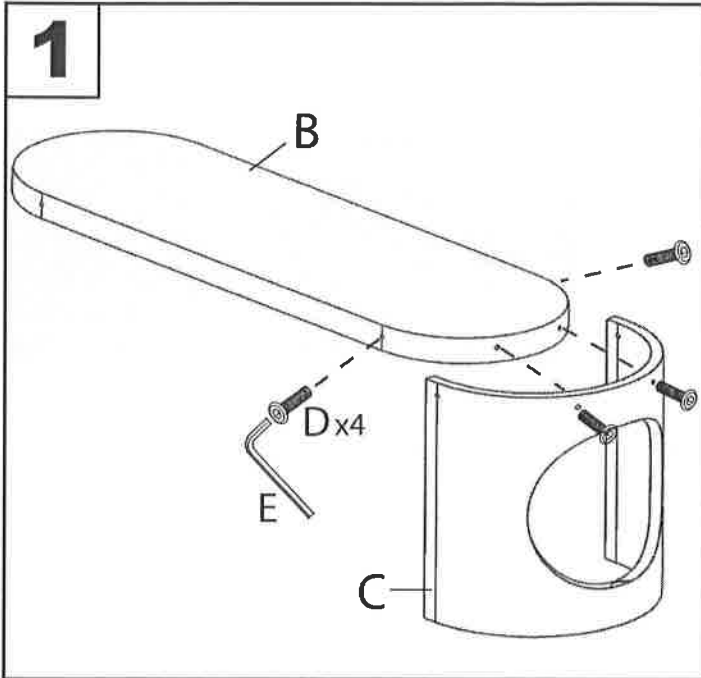
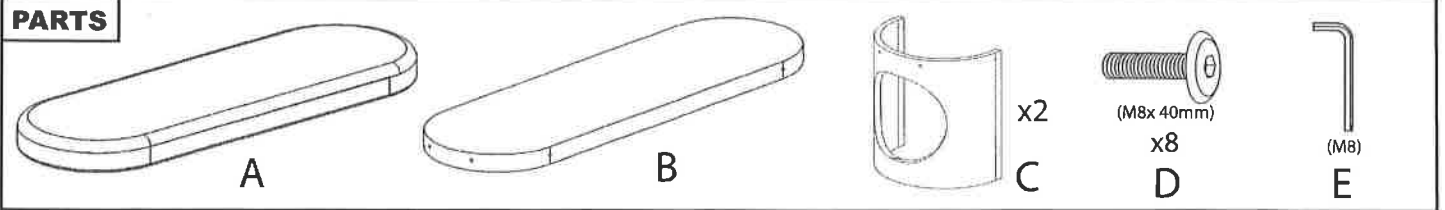


Clarity Bench

Part # BC-CLARITY2 XX+XX

19-0130

PARTS



Do not over tighten.
 Do not use power tools to assemble.