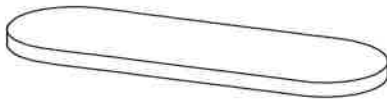


Part # BC-CNRY XX+XX

170518

PARTS

A



B

x6
(m6x16mm)

C

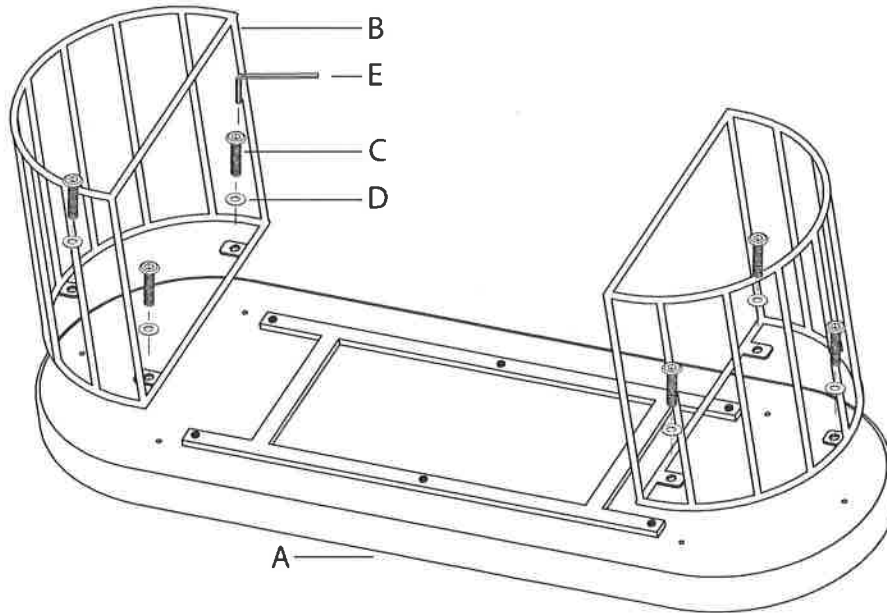
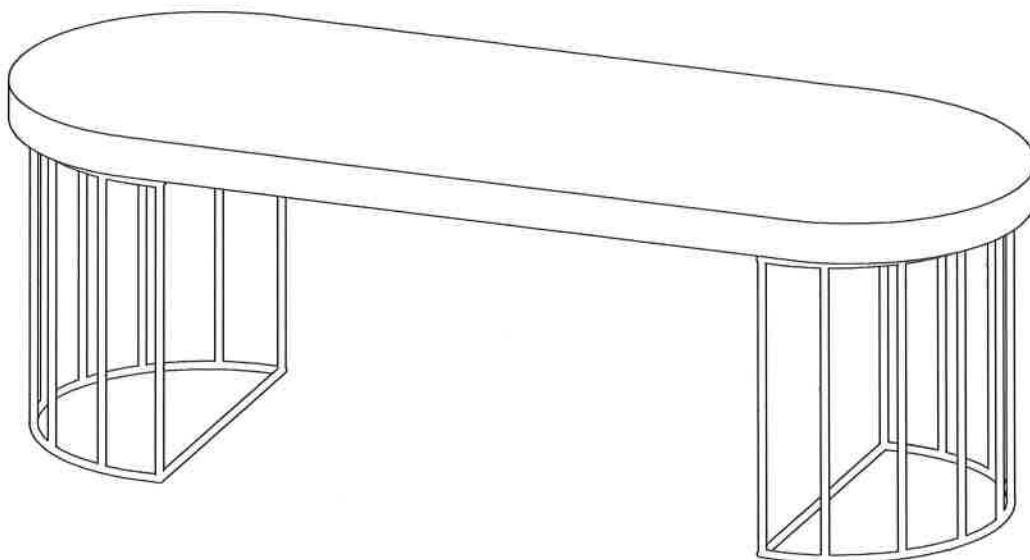


x6

D



E

1**2**

Do not over tighten.
Do not use power tools to assemble.