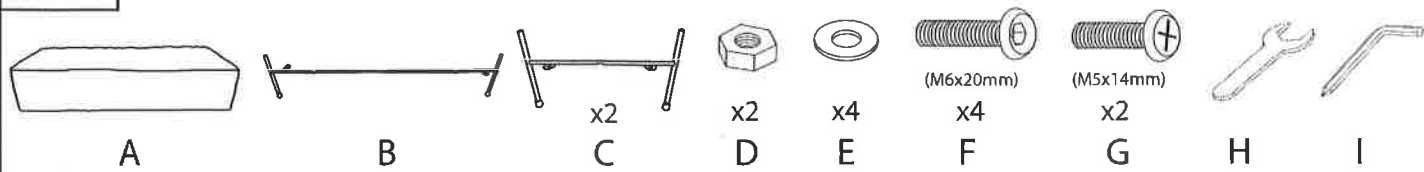


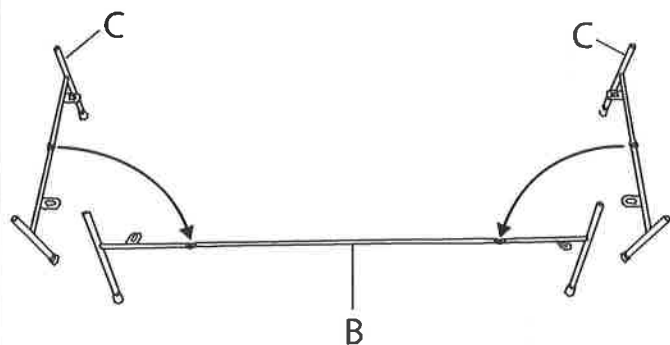
Part # BC-DNLA XX

19-0103

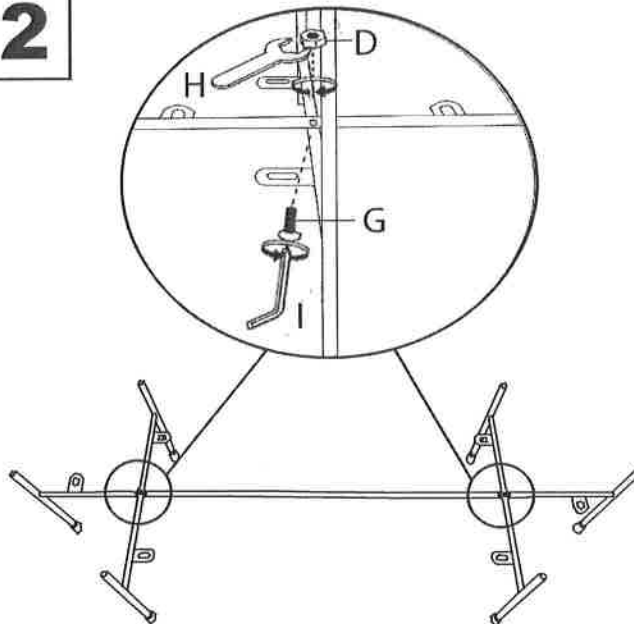
PARTS



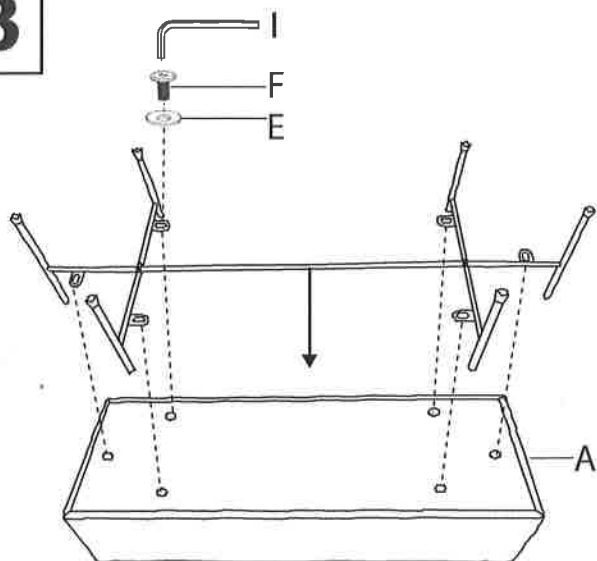
1



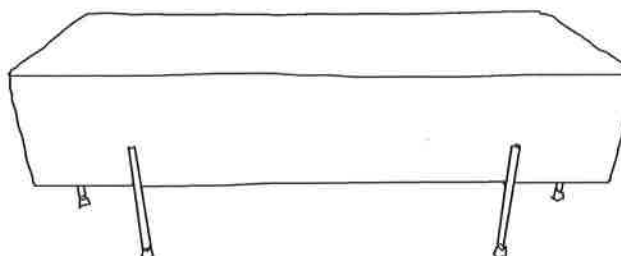
2



3



4



Do not over tighten.
Do not use power tools to assemble.