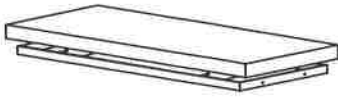


Part # BC-DRIFT XX+XX

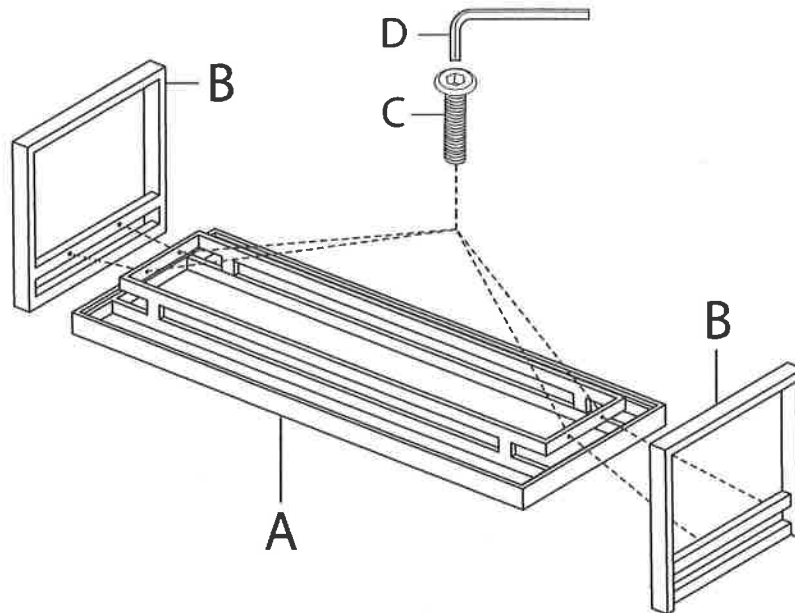
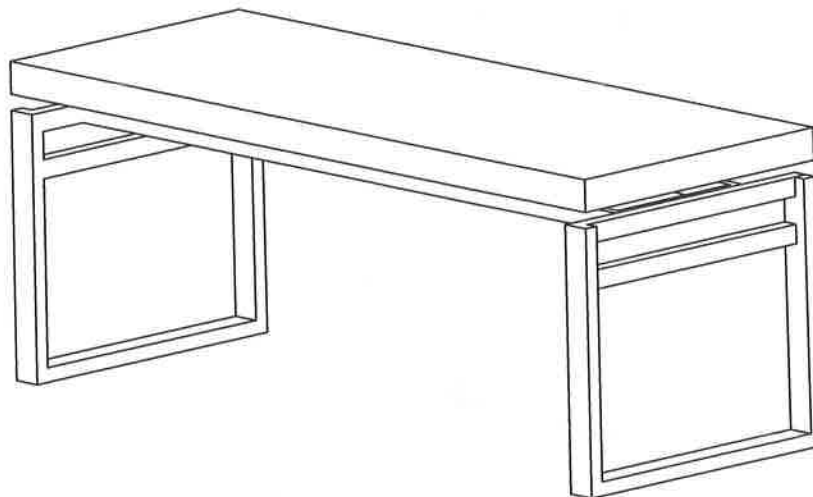
18-0820

PARTS

A

x2
B

(M6x50mm)

x4
C(M6)
D**1****2**

Do not over tighten.
Do not use power tools to assemble.