

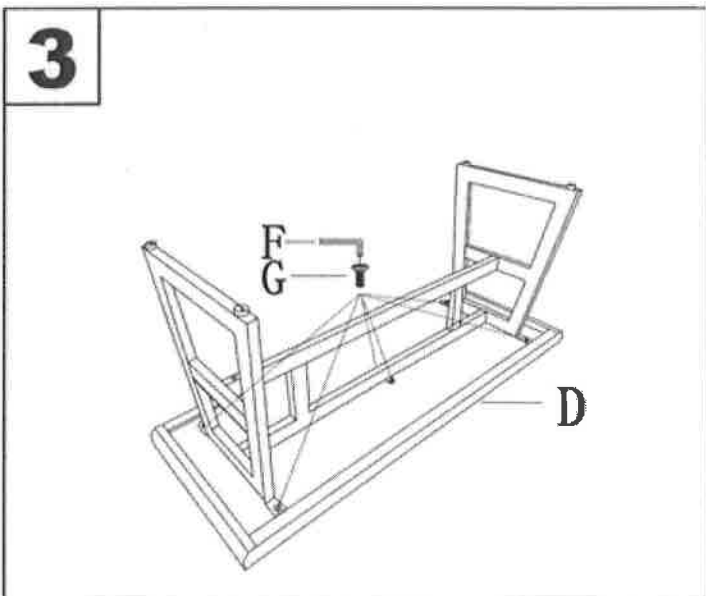
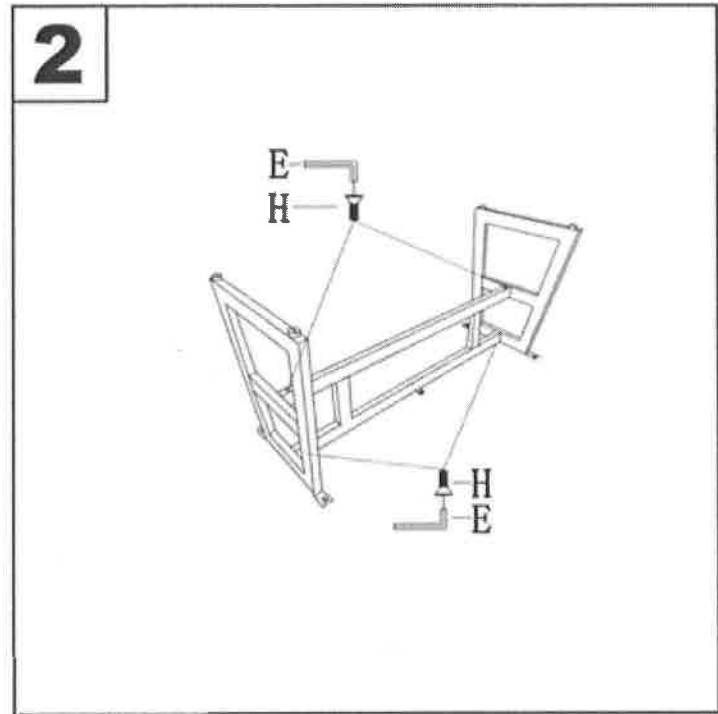
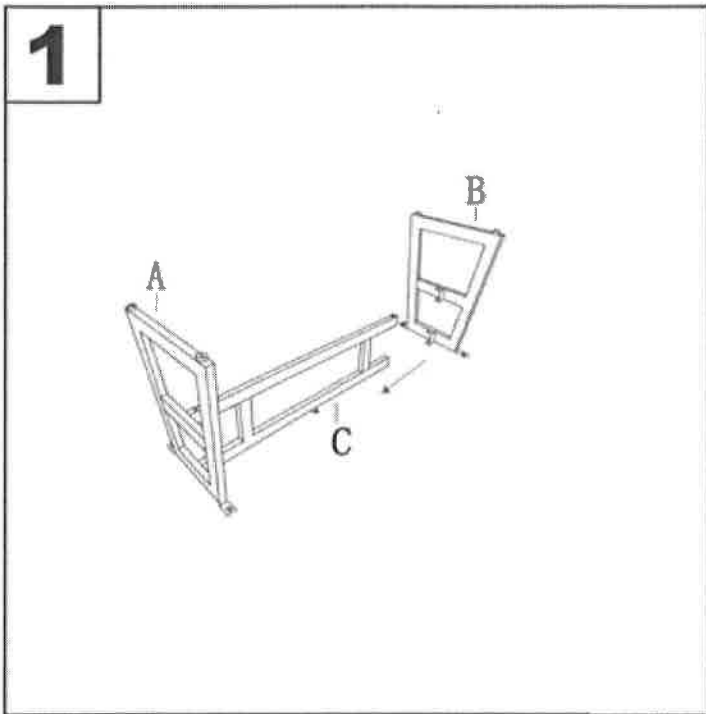
GEO BENCH

Part # BC-GEO XX

20-0108

PARTS

Ax1 Bx1 Cx1 Dx1 Ex1 Fx1 Gx6 Hx4
 M6x14mm M6x10mm



Do not over tighten.
 Do not use power tools to assemble.