

Dakota Mid-Back Barstool

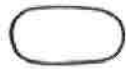
Part # BS-DAKMB XXXX

20-0330

PARTS



A



B



C



x4
(M6x16mm)

D

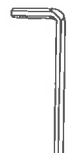


x4
(M6x16mm)

E

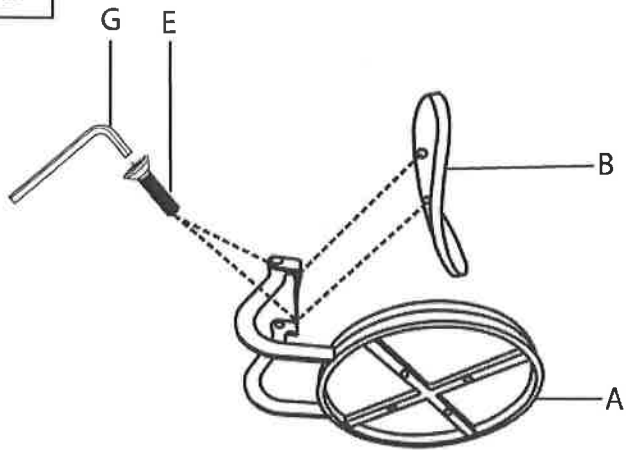


F

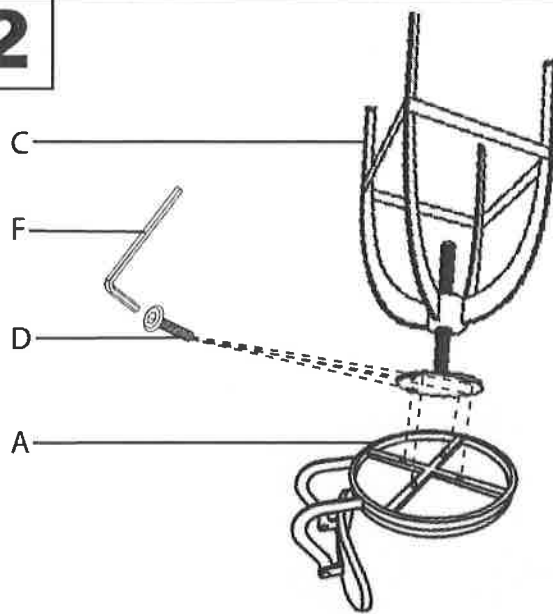


G

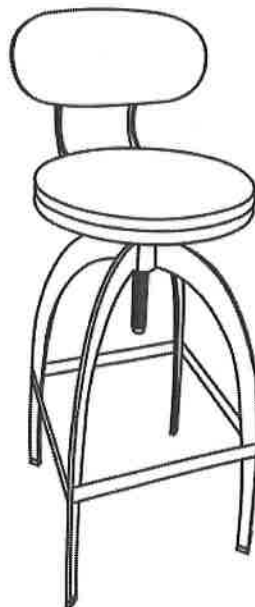
1



2



3



Do not over tighten.
 Do not use power tools to assemble.