

Hydra Barstool

Part # BS-HYDRA XX

2018.03.18

PARTS



Ax1



Bx1



Cx1

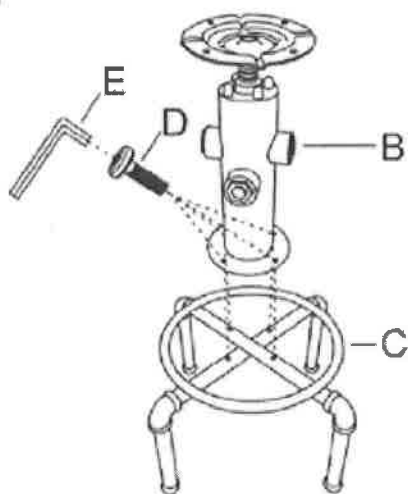


Dx8

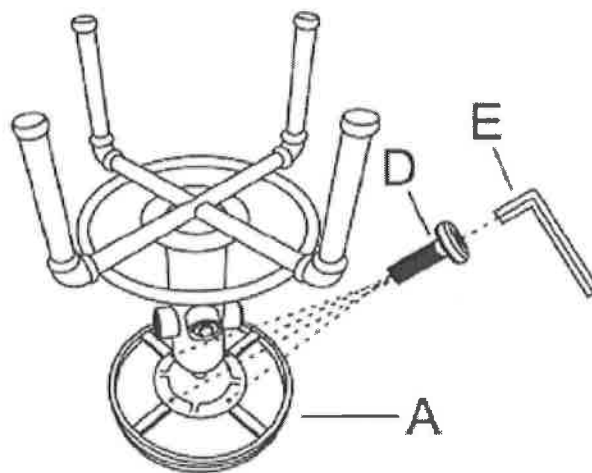


Ex1

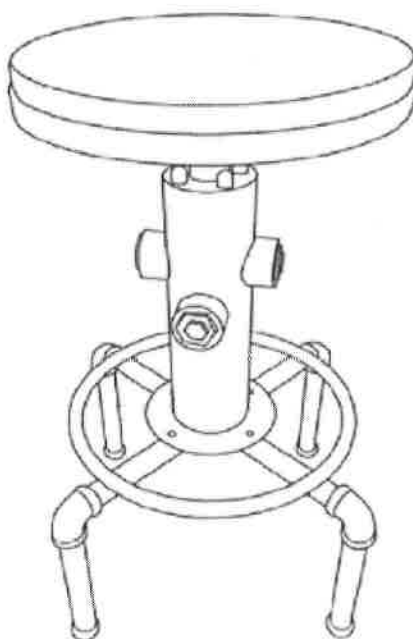
1



2



3



Do not over tighten.
Do not use power tools to assemble.