

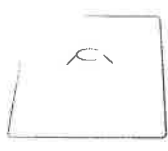
Part # BS-3AMR BK +ESP

20-0330

**PARTS**



A



B



C



D



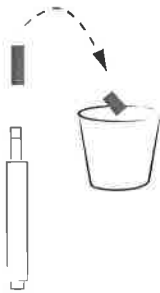
x4  
(M8x30mm)

E

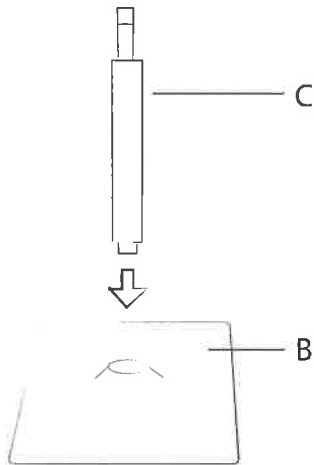


F

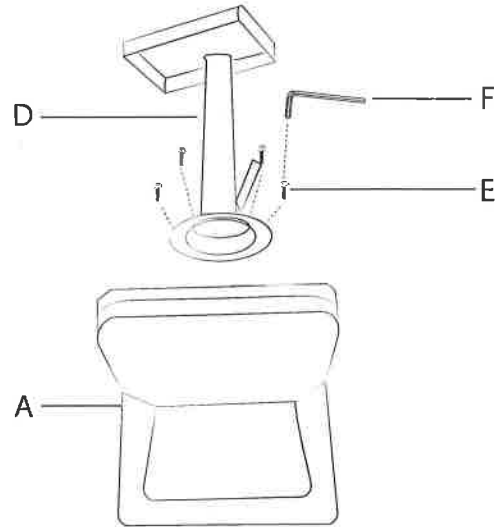
**1**



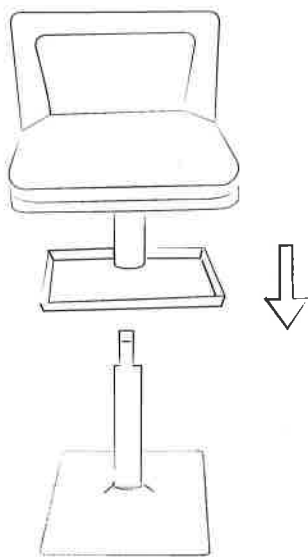
REMOVE BLACK CAP  
AND THROUGHAWAY



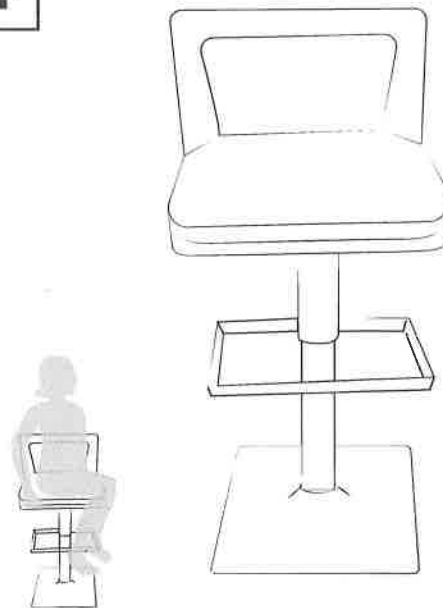
**2**



**3**



**4**



Do not over tighten.  
 Do not use power tools to assemble.