

# Mirage Bar Stool

Part # BS-TW-MIRAGE XX

20-0319

**PARTS**



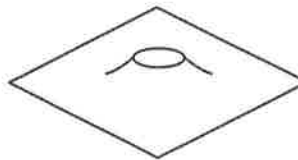
A



B



C



D



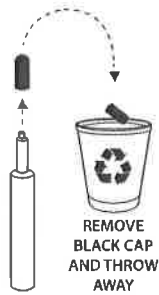
x4  
(M6x16mm)

E

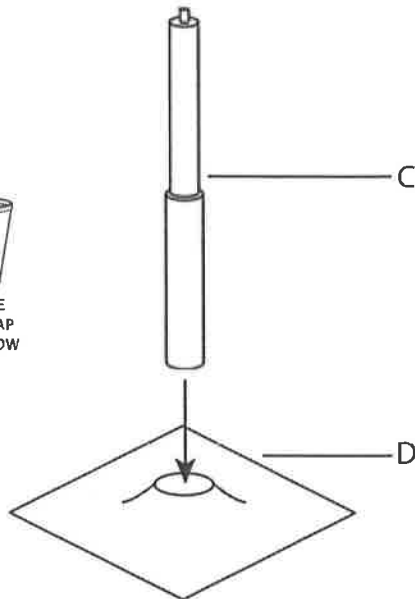


F

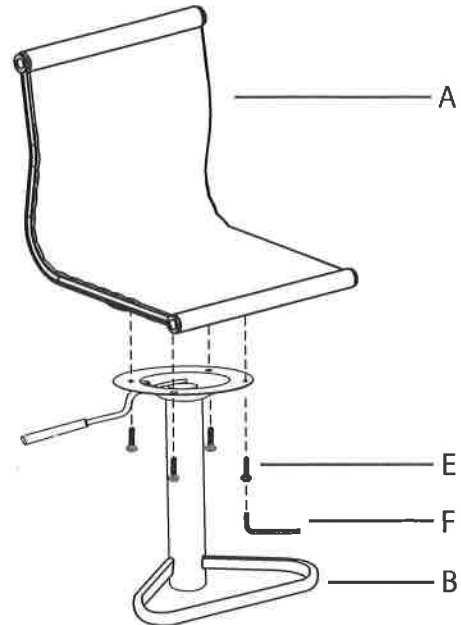
**1**



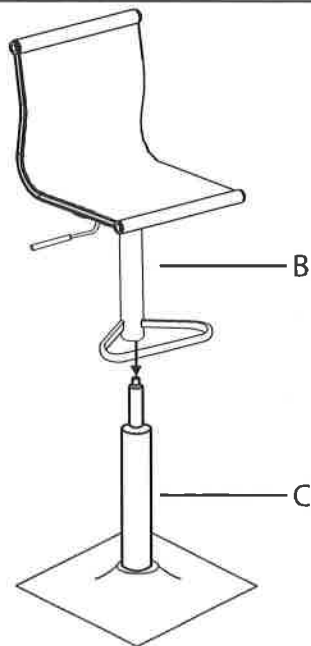
REMOVE  
BLACK CAP  
AND THROW  
AWAY



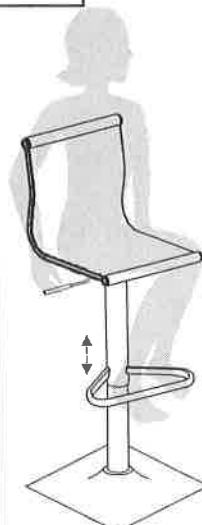
**2**



**3**



**4**



SIT TO SECURE



Do not over tighten.  
Do not use power tools to assemble.

**WARNING:**

- DO NOT STAND ON OR USE THIS STOOL AS A STEP LADDER.
- THIS STOOL IS MEANT TO SEAT ONLY ONE PERSON AT A TIME
- ALL BOLTS, SCREWS, AND KNOBS MUST BE TIGHTLY SECURED, AND SHOULD BE CHECKED AT LEAST EVERY 4 MONTHS.
- IF PARTS ARE MISSING, BROKEN, DAMAGED OR WORN, THEN STOP USING THE PRODUCT UNTIL REPAIRS ARE MADE USING FACTORY AUTHORIZED PARTS.