

Part # BT-DAKXX

18-1218

PARTS

A



B



C



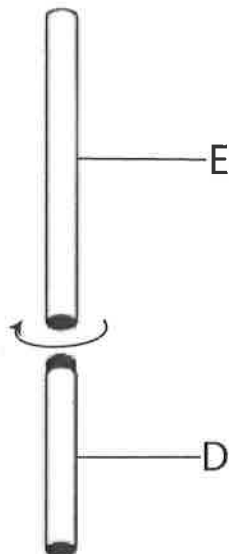
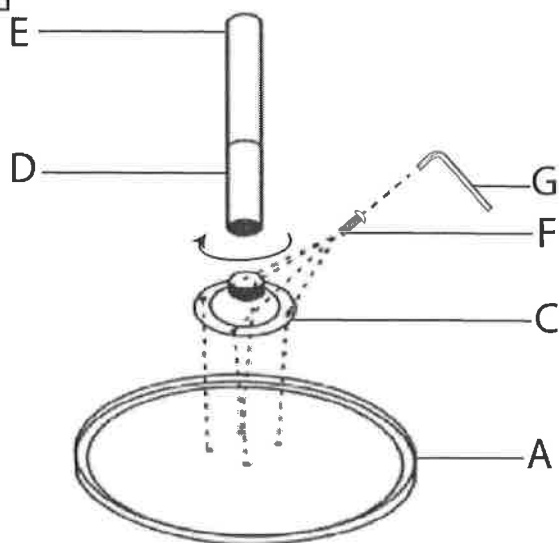
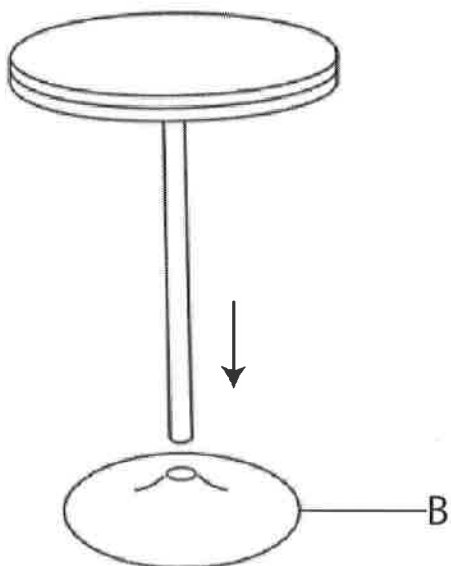
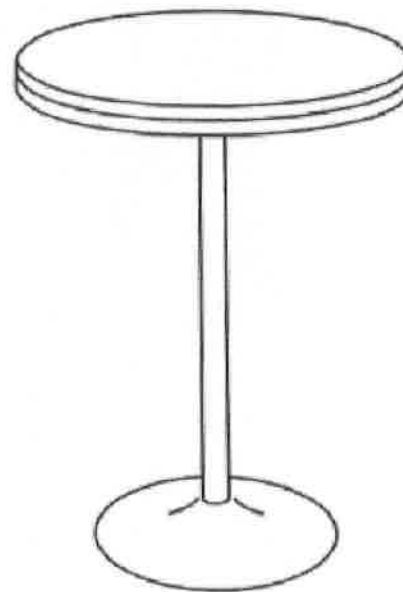
D



E

X4
F

G

1**2****3****4**

Do not over tighten.
Do not use power tools to assemble.