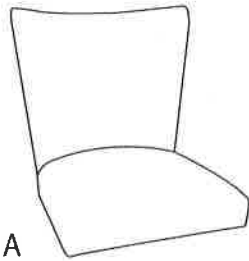


# Addison Dining Chair

Part # CH-ADISON XX+XX

18-0725

**PARTS**



A



B x2



C x2



D x4  
M8 45mm



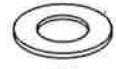
F x8



H

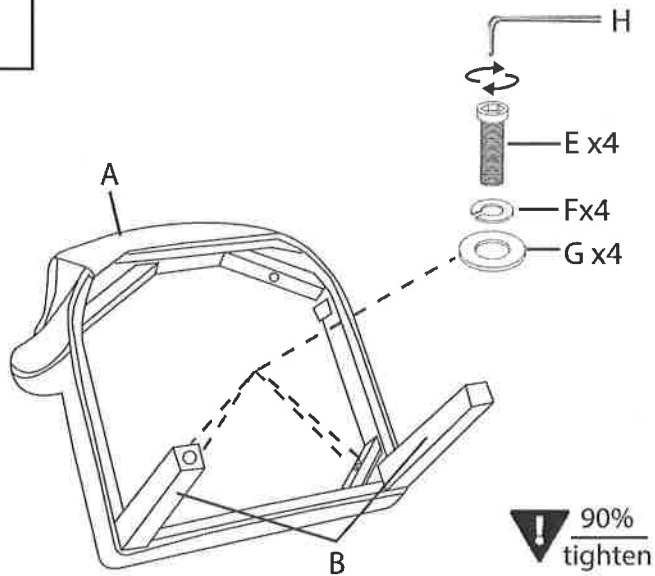


E x4  
M8 60mm



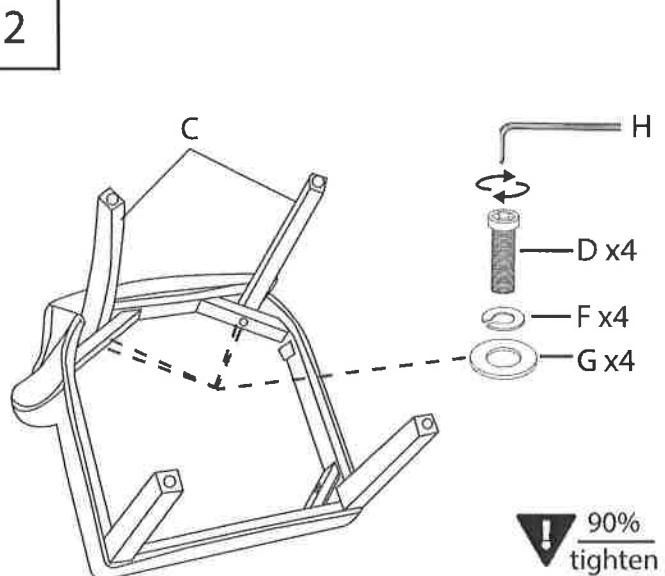
G x8

1



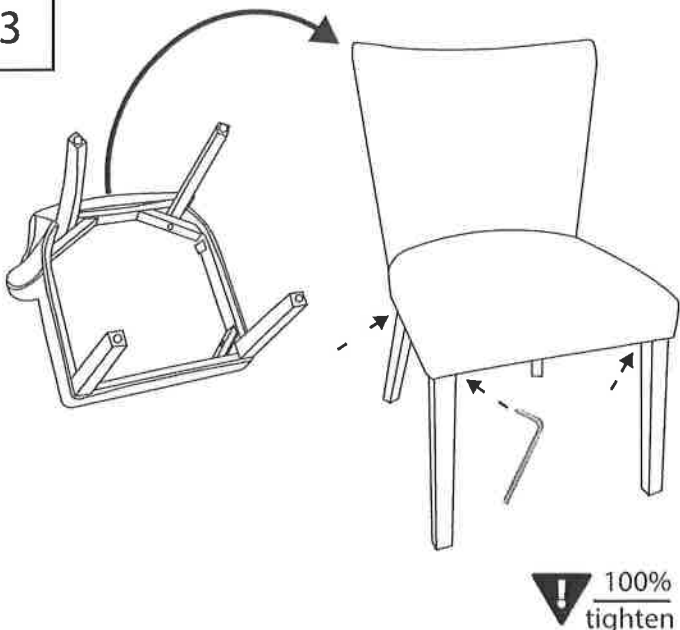
90%  
tighten

2



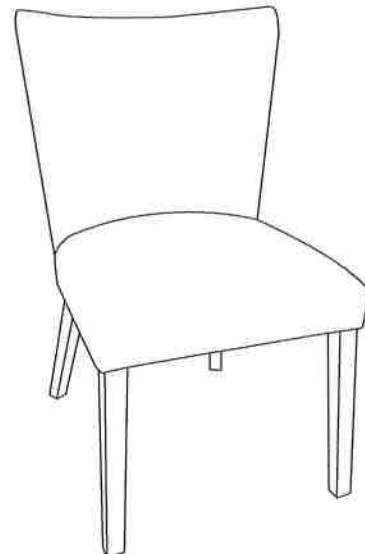
90%  
tighten

3



100%  
tighten

4



Do not over tighten.  
 Do not use power tools to assemble.