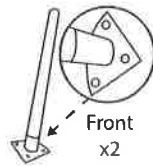


Part # CH-ANBEL WL XX

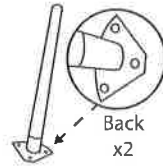
171204

PARTS

A



B



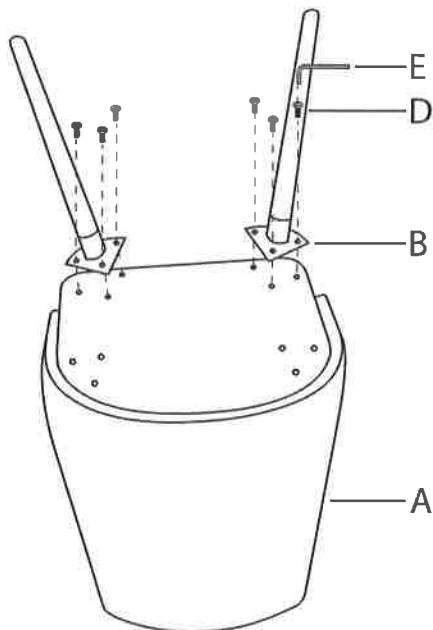
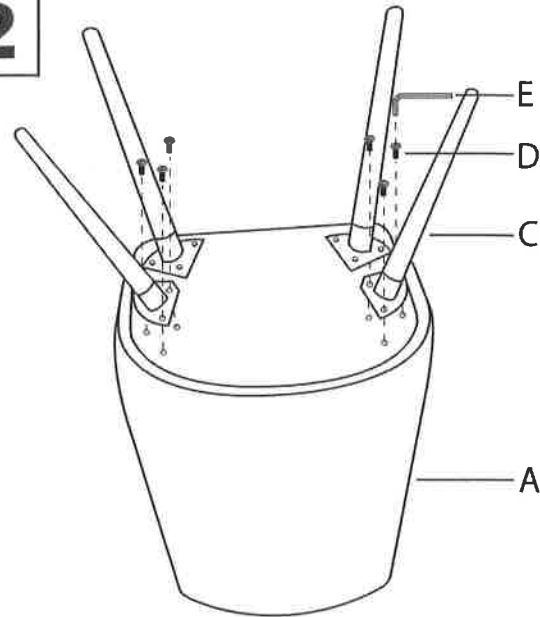
C



D



E

1**2****3**

Do not over tighten.
Do not use power tools to assemble.

WARNING:

- DO NOT STAND ON OR USE THIS STOOL AS A STEP LADDER.
- THIS STOOL IS MEANT TO SEAT ONLY ONE PERSON AT A TIME
- ALL BOLTS, SCREWS, AND KNOBS MUST BE TIGHTLY SECURED, AND SHOULD BE CHECKED AT LEAST EVERY 4 MONTHS.
- IF PARTS ARE MISSING, BROKEN, DAMAGED OR WORN, THEN STOP USING THE PRODUCT UNTIL REPAIRS ARE MADE USING FACTORY AUTHORIZED PARTS.