

Boyne Chair

Part # CH-BOYNE XXXX

19-0423

PARTS



A



B



C



x1
(M6x30mm)

F



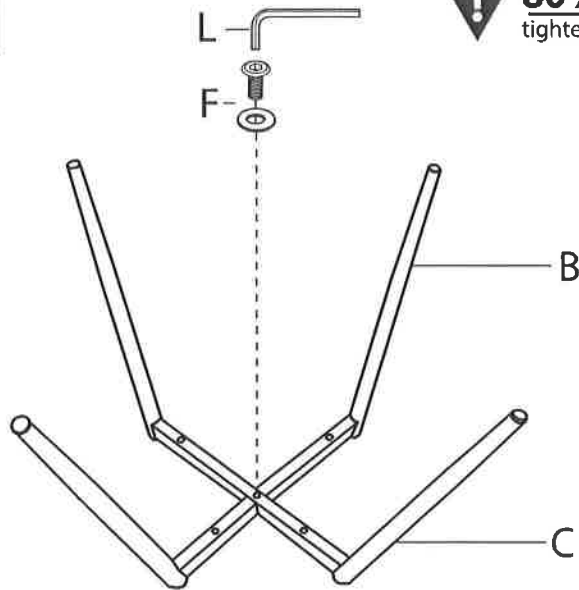
x4
(M6x45mm)

G



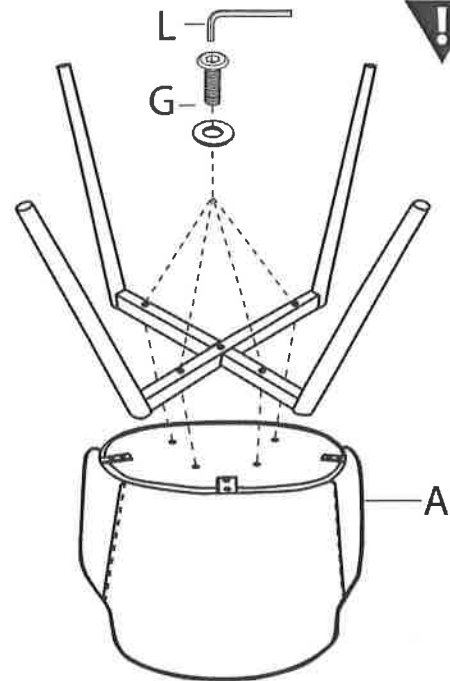
L

1



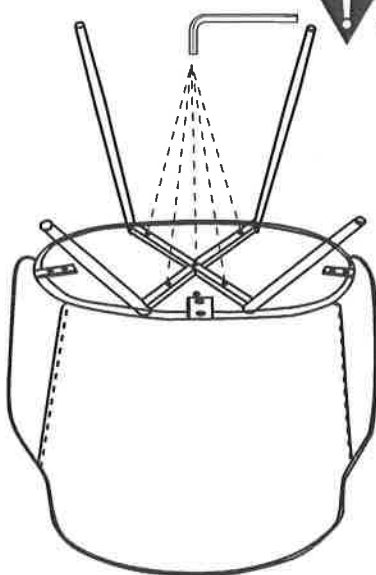
! **80%**
tighten

2



! **80%**
tighten

3



! **100%**
tighten

4



Do not over tighten.
 Do not use power tools to assemble.