

Part # CH-CASPER XX+XX

19-0103

PARTS



A



B



C



(M6x25mm)
x4

D



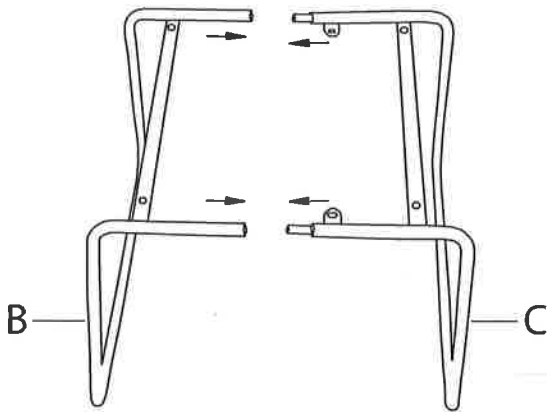
(M6x15mm)
x2

E

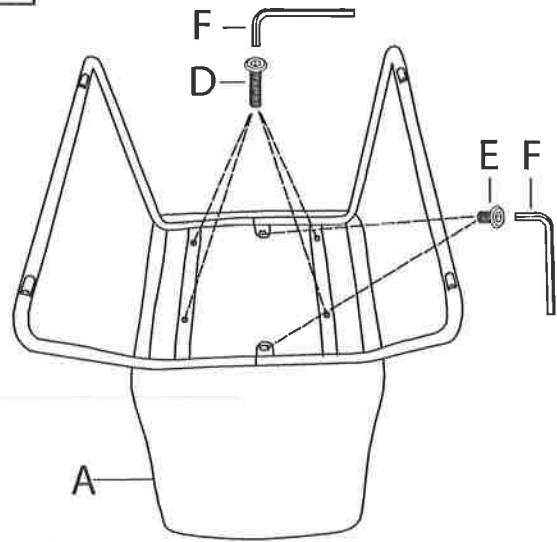


(M6)
F

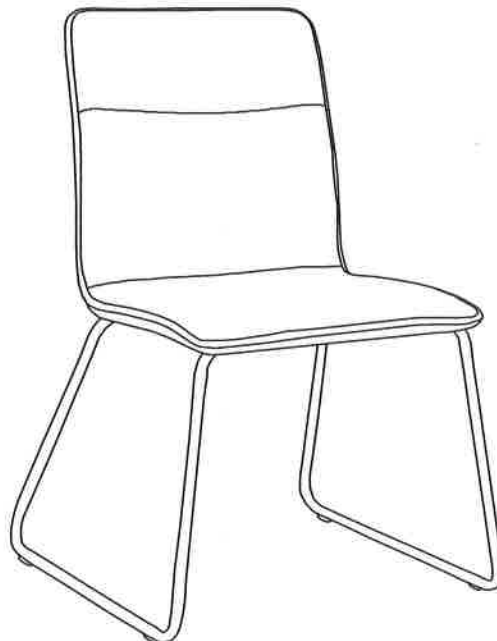
1



2



3



Do not over tighten.
 Do not use power tools to assemble.