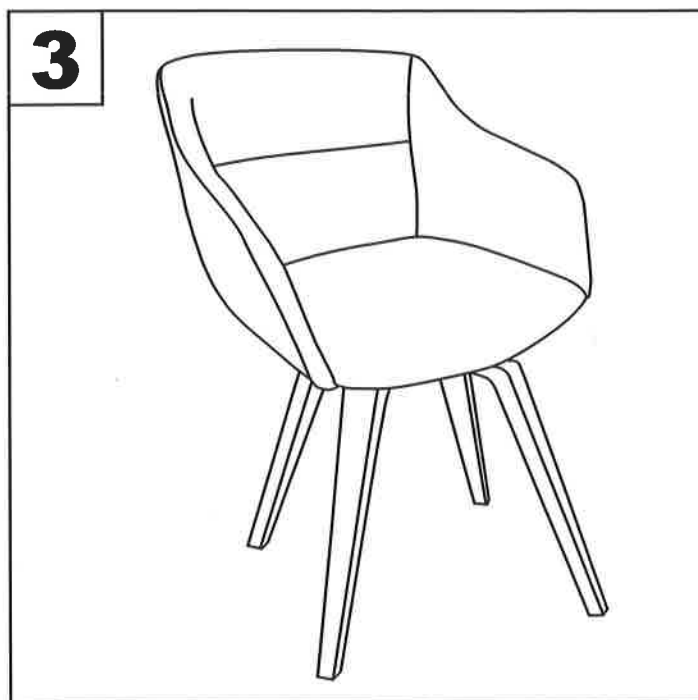
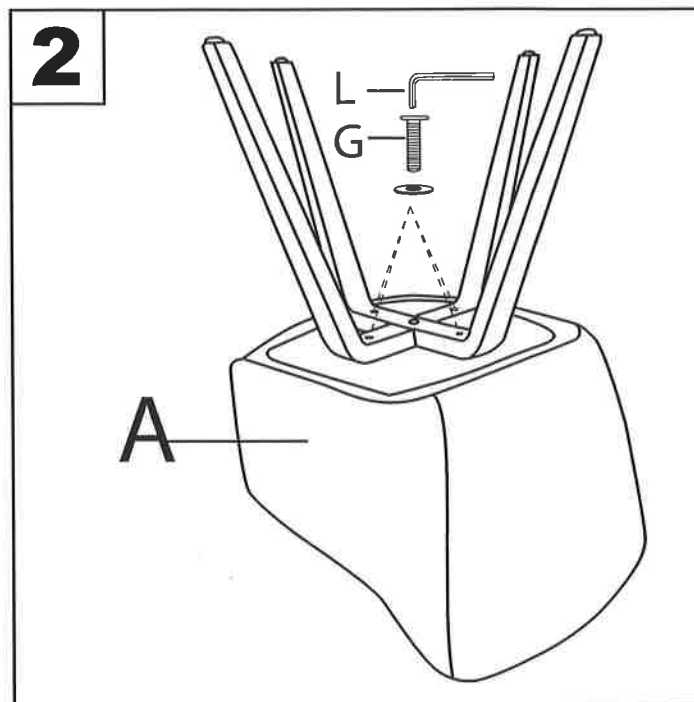
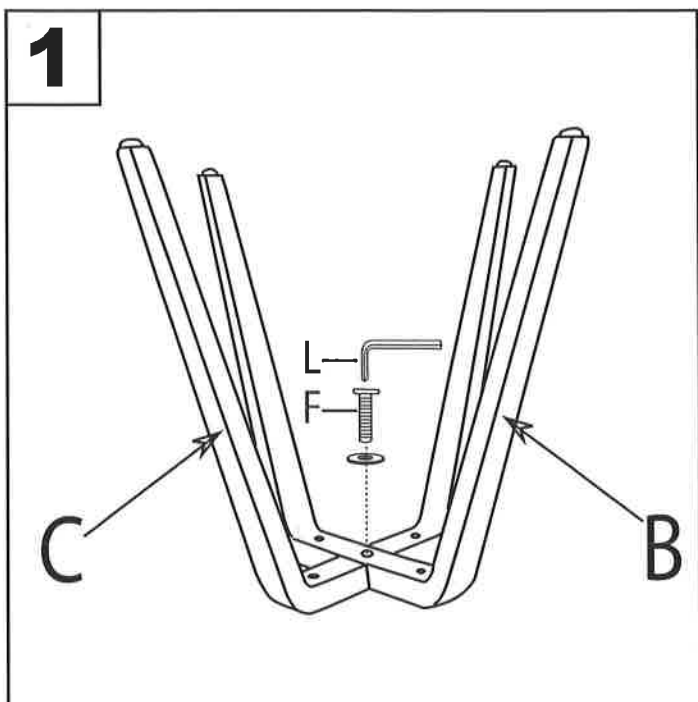
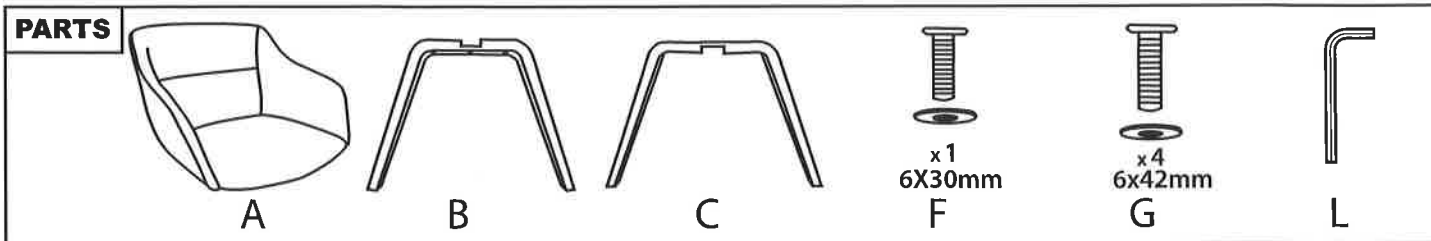


Part # CH-CMP XX + XX

120315



Do not over tighten.

Do not use power tools to assemble.