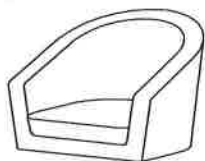
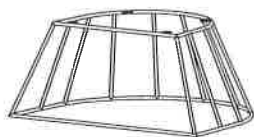


Part # CH-CNRY XX+XX

170518

PARTS

A



B

x4
M6 x 16mm

C

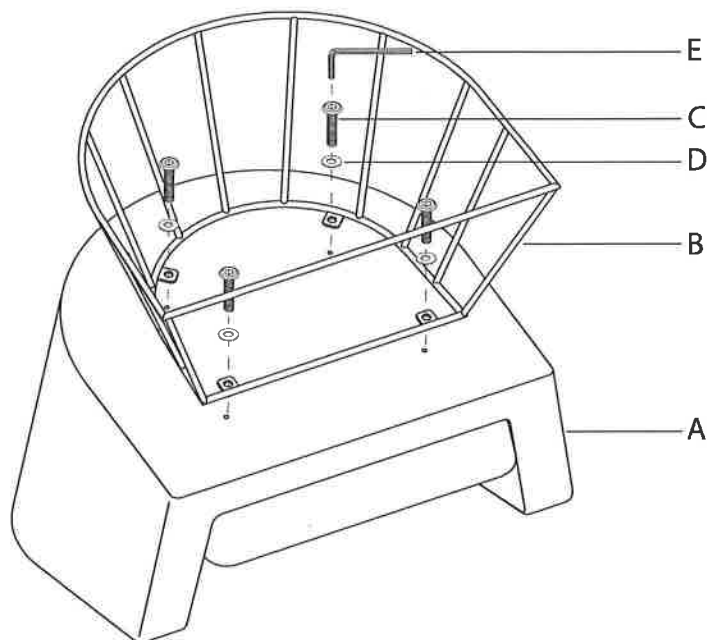
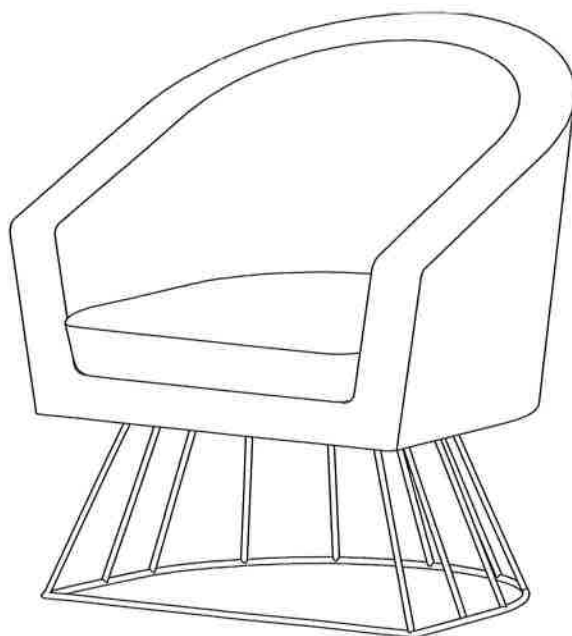


x4

D



E

1**2**

Do not over tighten.
Do not use power tools to assemble.