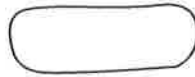


Part # CH-DEMI XXXX

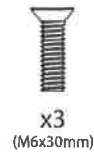
19-0424

PARTS

A



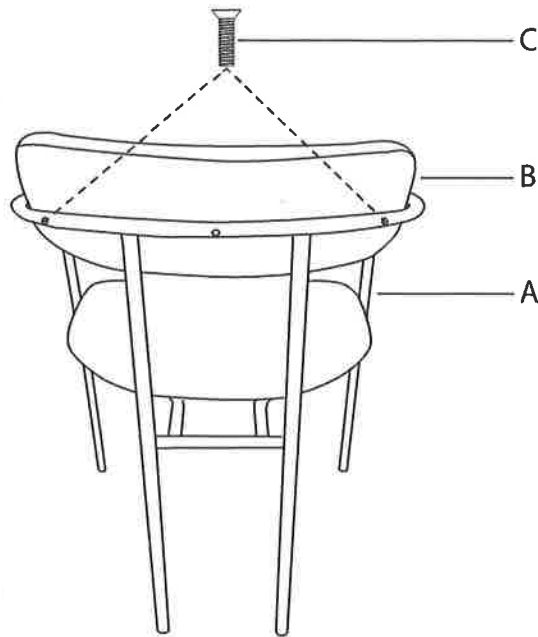
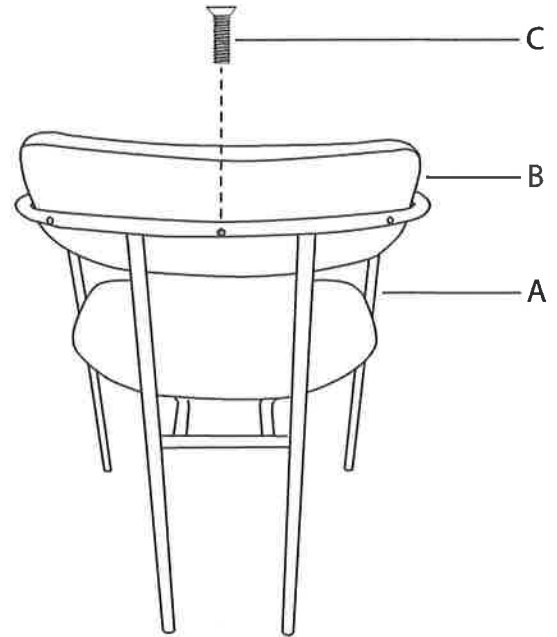
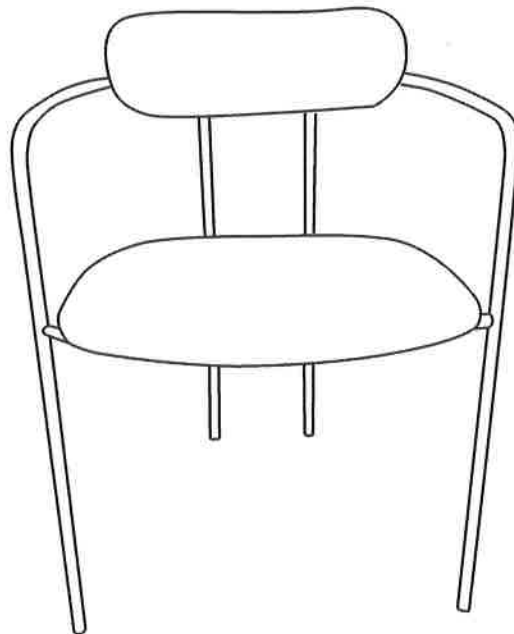
B

x3
(M6x30mm)

C



D

1**2****3**

Do not over tighten.
Do not use power tools to assemble.