

Fiji Accent Chair

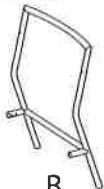
Part # CH-FIJI XX+XX

20-0316

PARTS



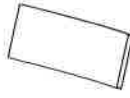
A



B



C



D



(M6x 38mm)
x2
E



F



G

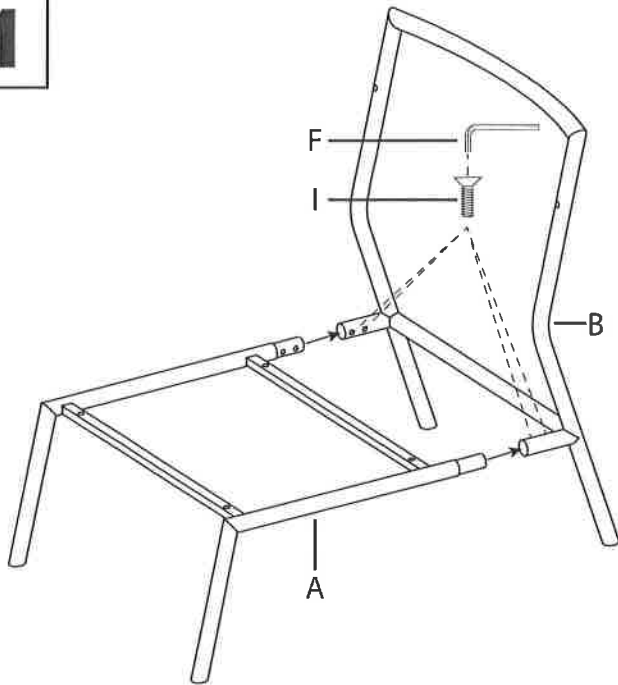


(M6x 30mm)
x4
H

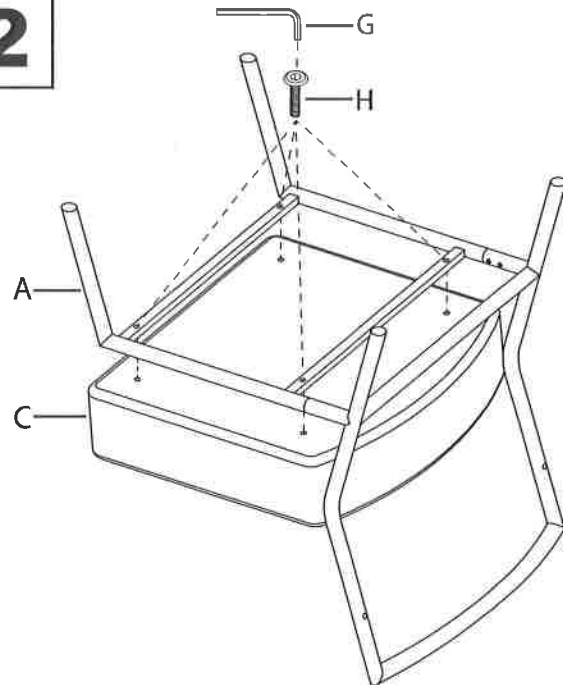


(M6x 12mm)
x4
I

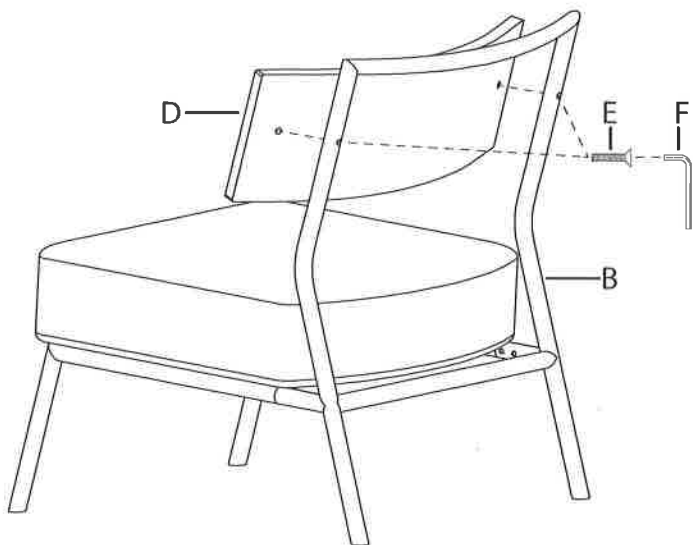
1



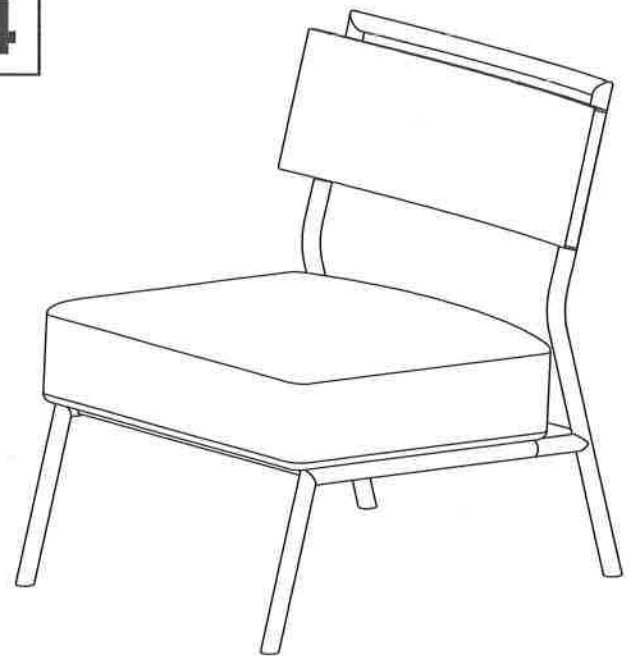
2



3



4



Do not over tighten.
 Do not use power tools to assemble.