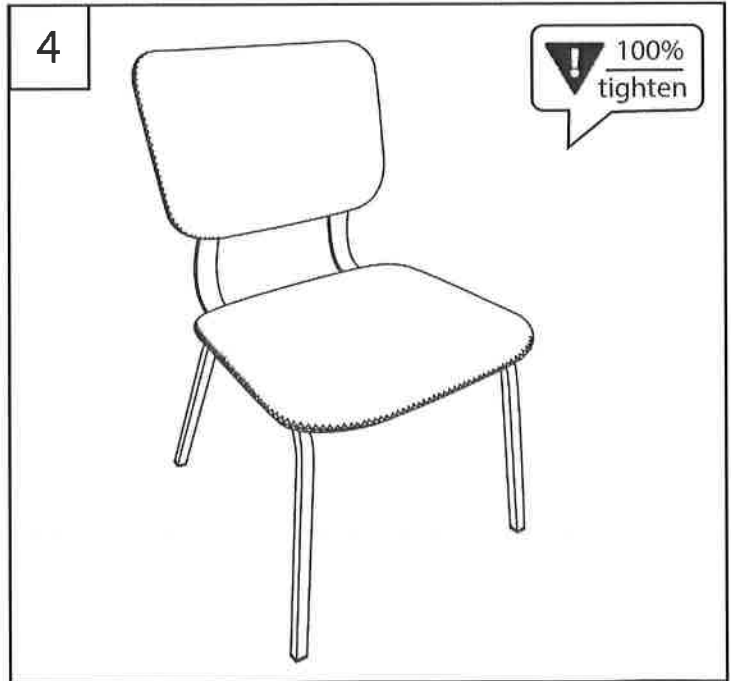
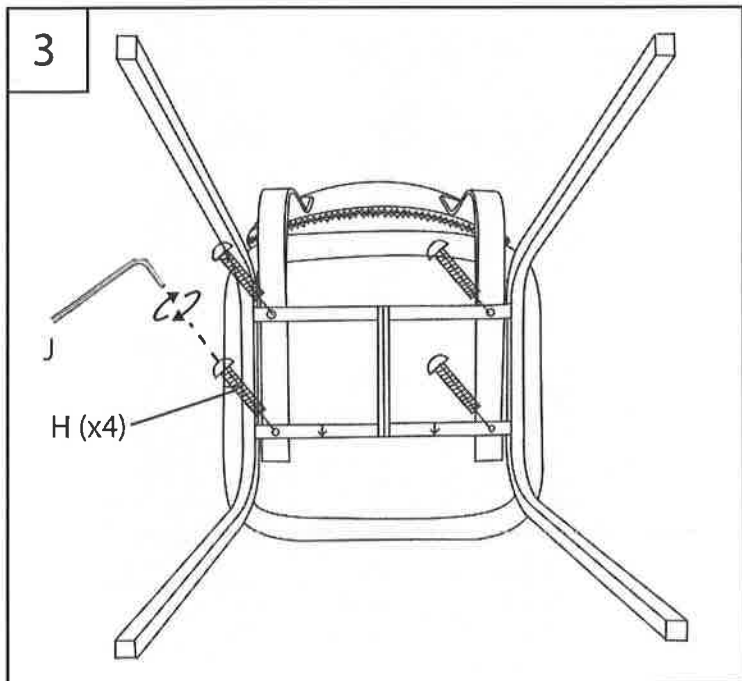
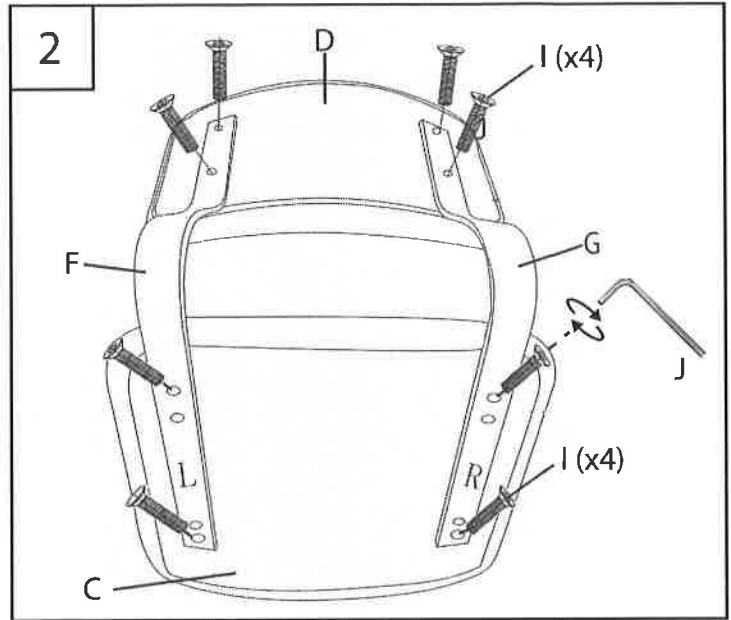
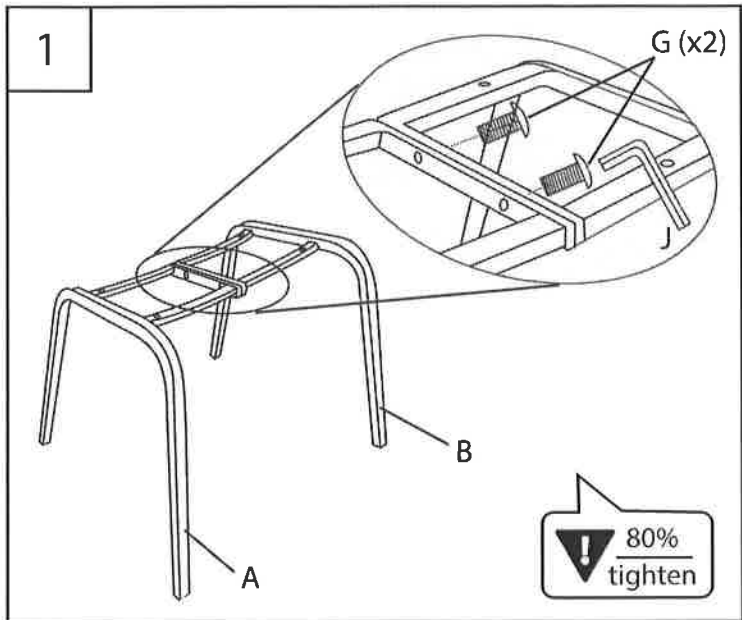
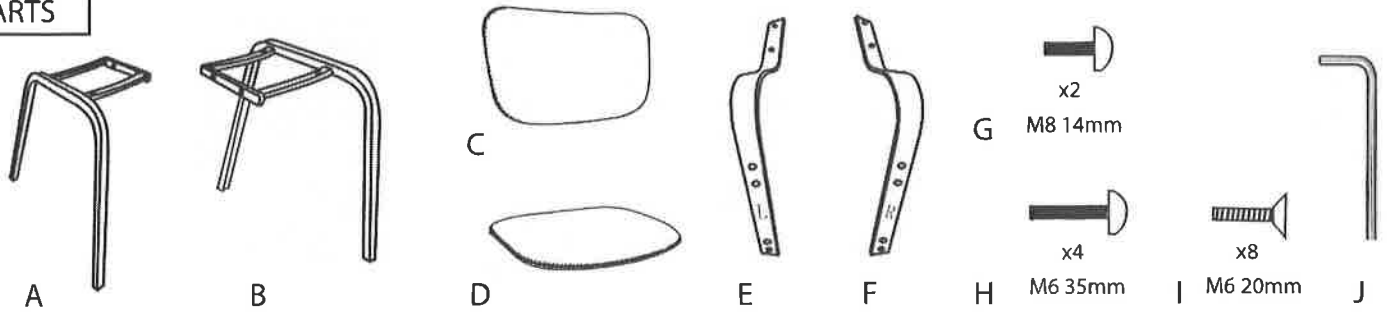


Part # CH-FNDY XX+XX

18-0622

PARTS



Do not over tighten.  
Do not use power tools to assemble.