

# Lindsey Chair

Part # CH-LINDSY XXXX

19-0423

**PARTS**



A



B



C



(M6x30mm)

x1

F



(M6x50mm)

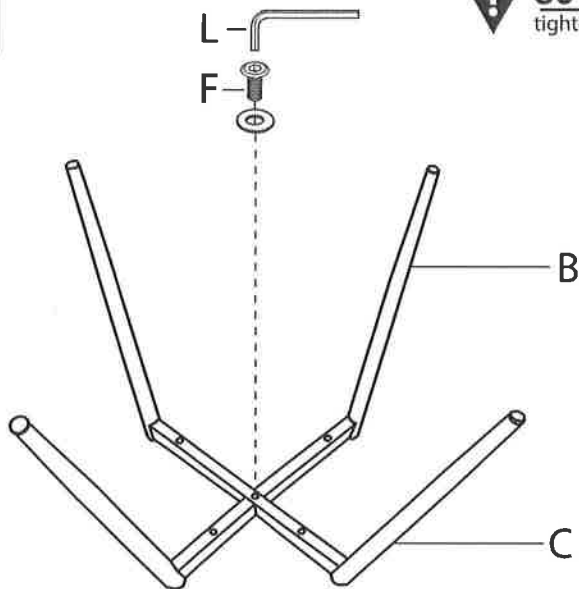
x4

G



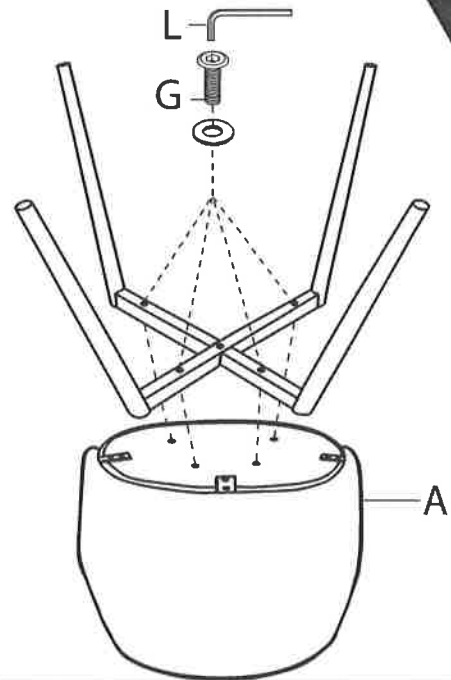
L

**1**



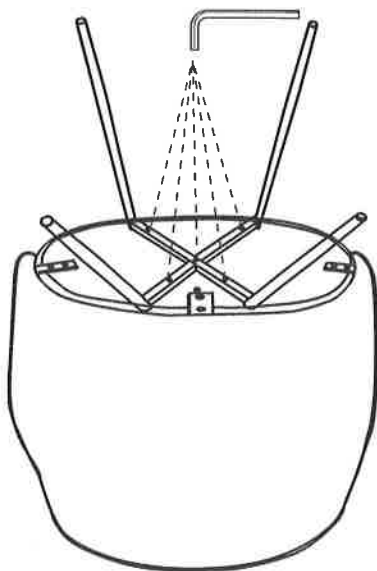
! 80%  
tighten

**2**



! 80%  
tighten

**3**



! 100%  
tighten

**4**



Do not over tighten.  
Do not use power tools to assemble.