

Part # CHR-MASON XX

20-1216

PARTS

A



B

x4
(M6x15mm)

C

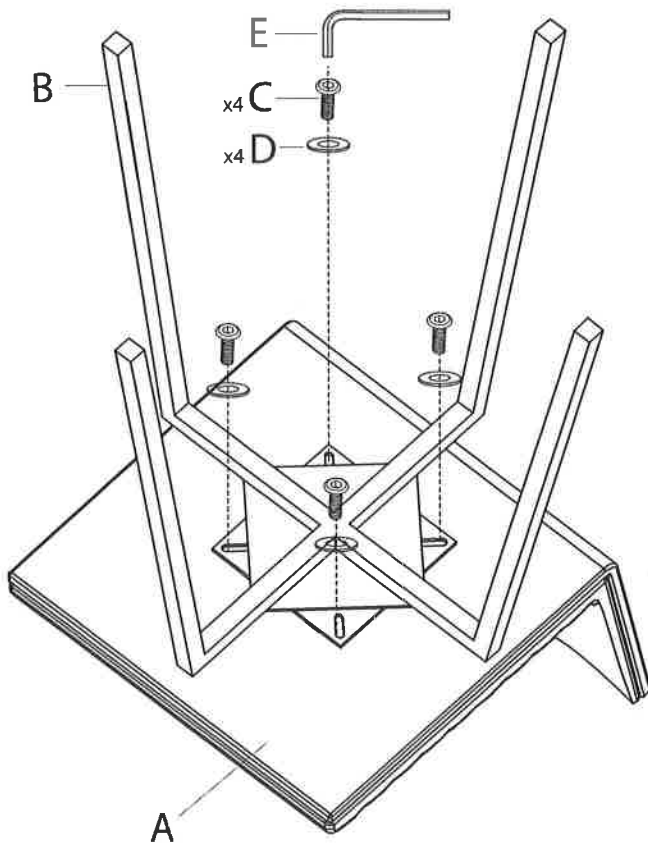


x4

D



E

1**2**

Do not over tighten.
Do not use power tools to assemble.