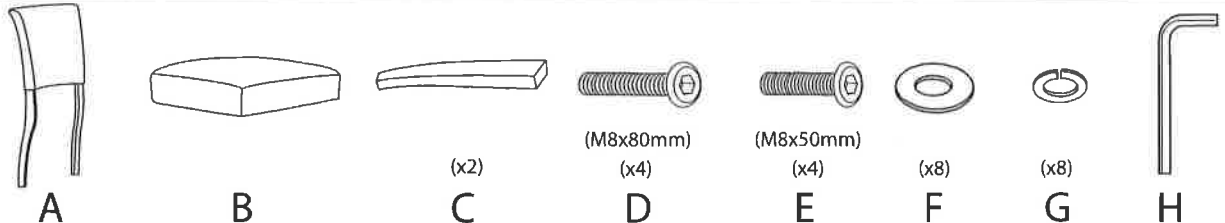


Rita Dining Chair

Part # CH-RITA XX+XX

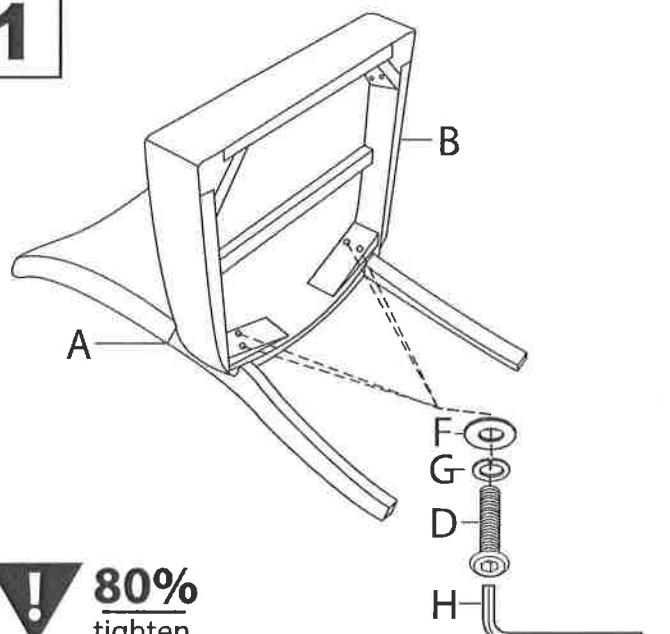
18-0725

PARTS



A B C (x2) D (M8x80mm) (x4) E (M8x50mm) (x4) F (x8) G (x8) H

1

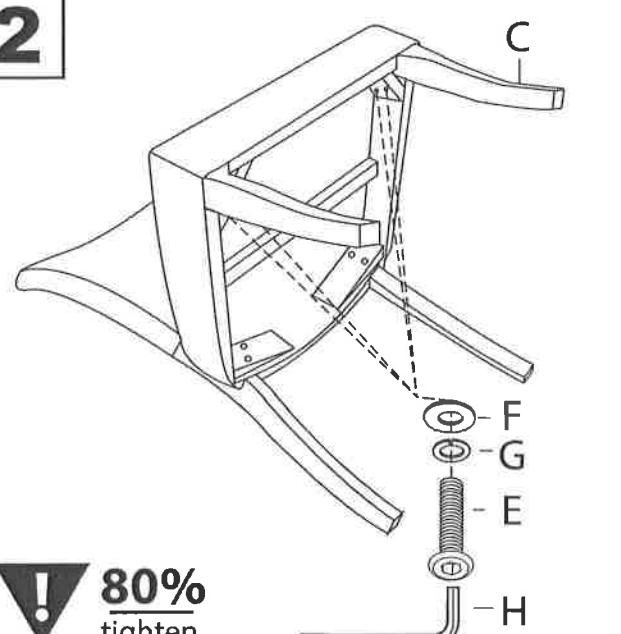


A B

F G D H

! 80% tighten

2

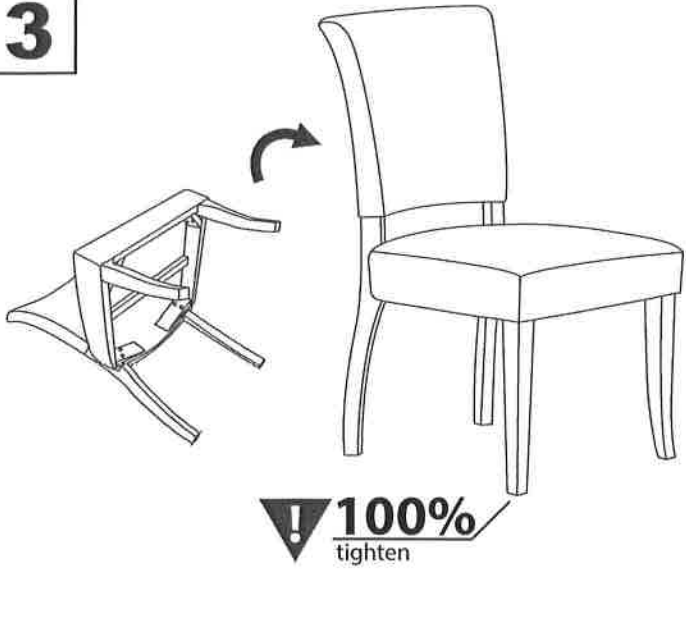


C

F G E H

! 80% tighten

3



F G D H

! 100% tighten

4




Do not over tighten.
 Do not use power tools to assemble.