

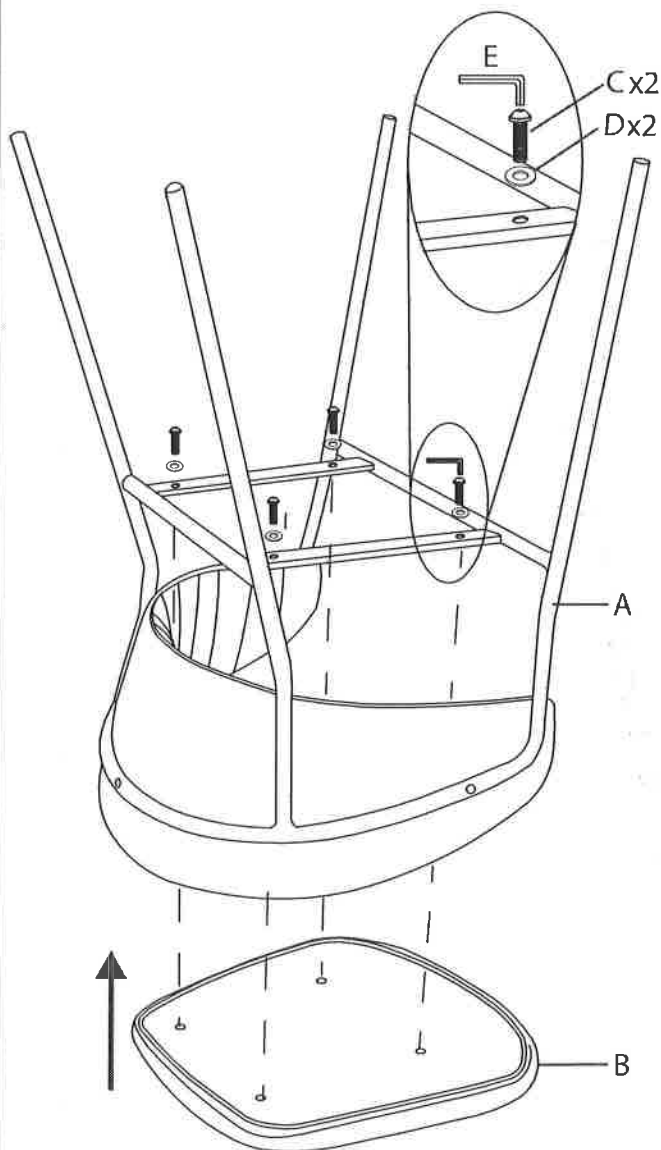
Part # CH-TANIA XX+XX

18-1129

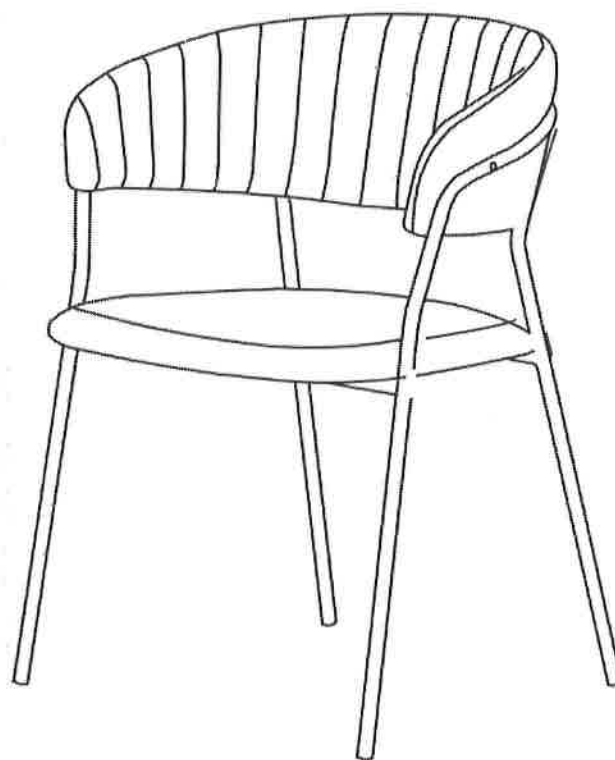
**PARTS**



**1**



**2**



Do not over tighten.  
 Do not use power tools to assemble.