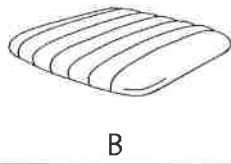


# Thomas Chair

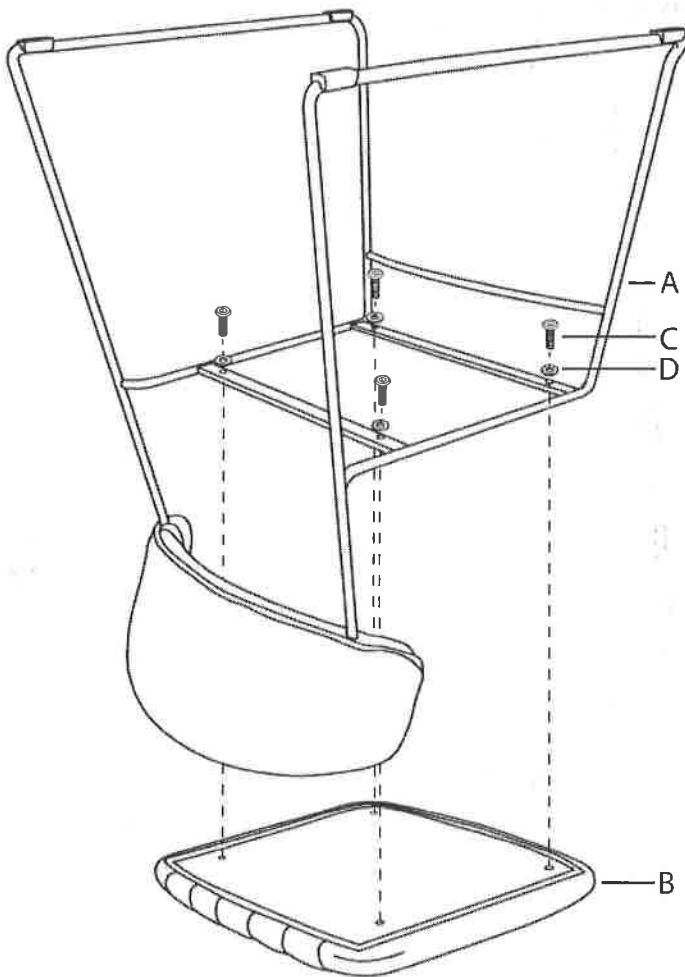
Part # CH-THOMAS XXXX

19-0322

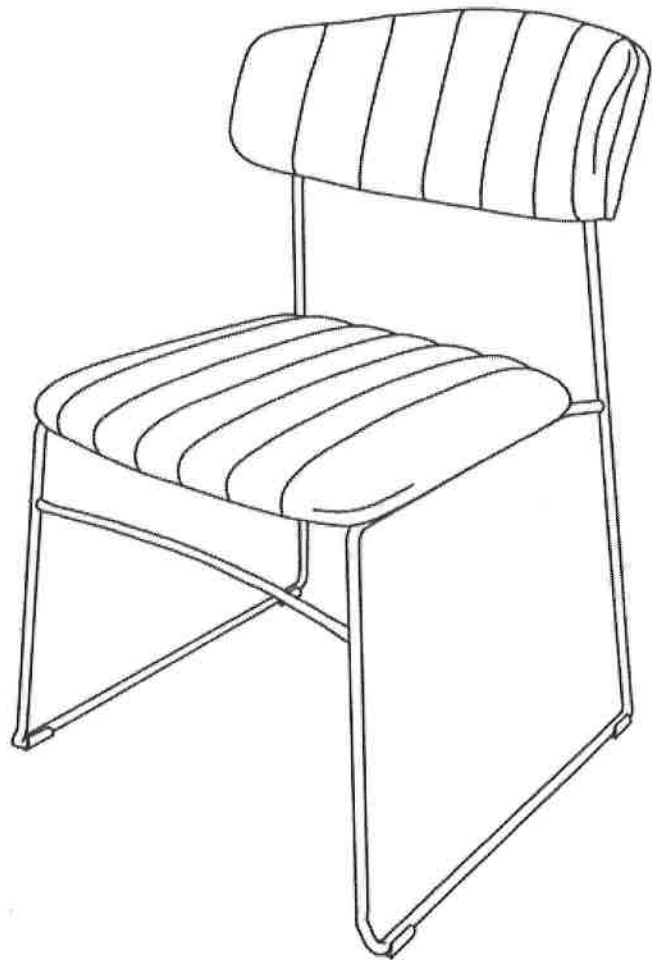
**PARTS**



**1**



**2**



Do not over tighten.  
Do not use power tools to assemble.