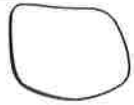


Part # CH-WLSN XX

19-0424

PARTS



A



B



C



D



x2
(M6x12mm)
E



x2
(42mm)
F



x8
(M6x12mm)
G



x2
(M6x22mm)
H

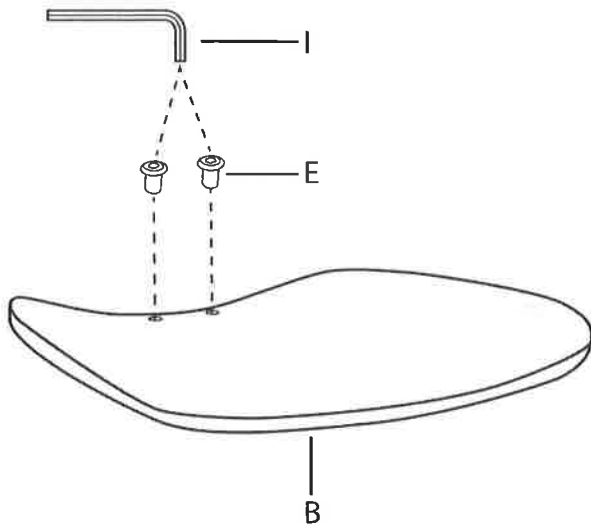


(M4)
I

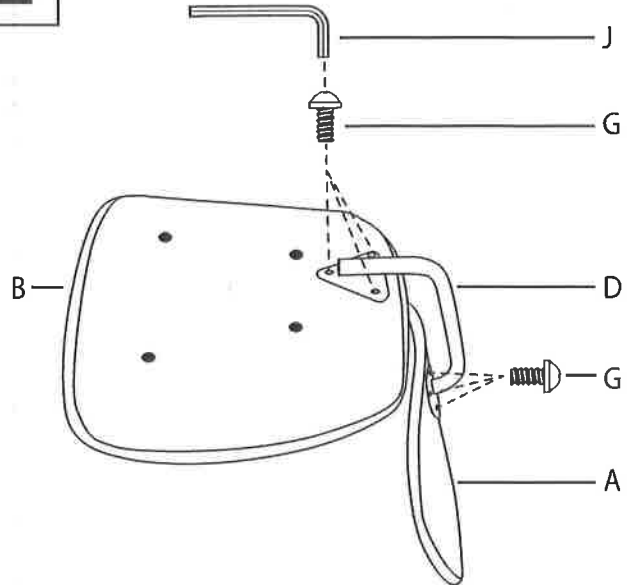


(M6)
J

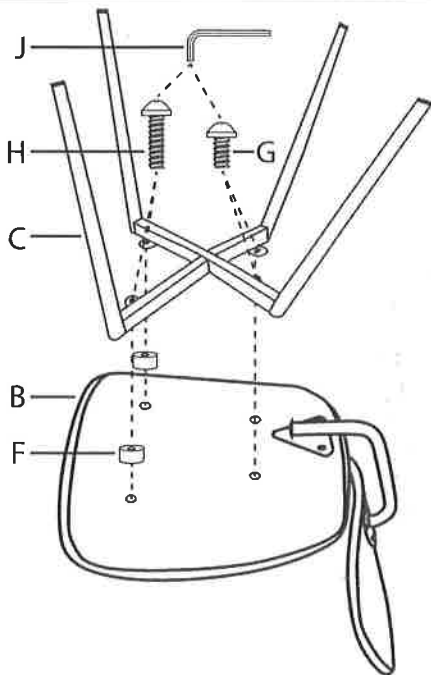
1



2



3



4



Do not over tighten.
Do not use power tools to assemble.