

Casper Accent Chair

Part # CHR-CASPER XX+XX

19-0103

PARTS



A



B



C



x4
D



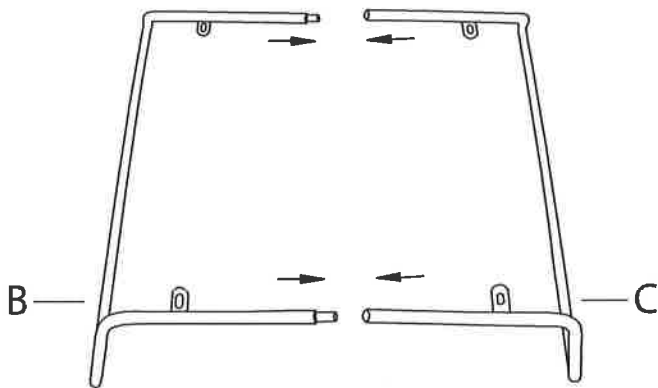
(M6x25mm)

x4
E

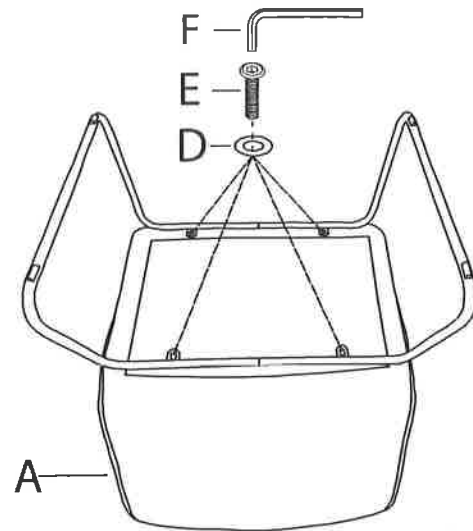


(M6)
F

1



2



3



Do not over tighten.
 Do not use power tools to assemble.