

Part # CHR-DIANA XX+XX

19-0226

PARTS

A



B



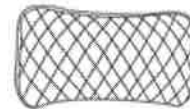
C



D



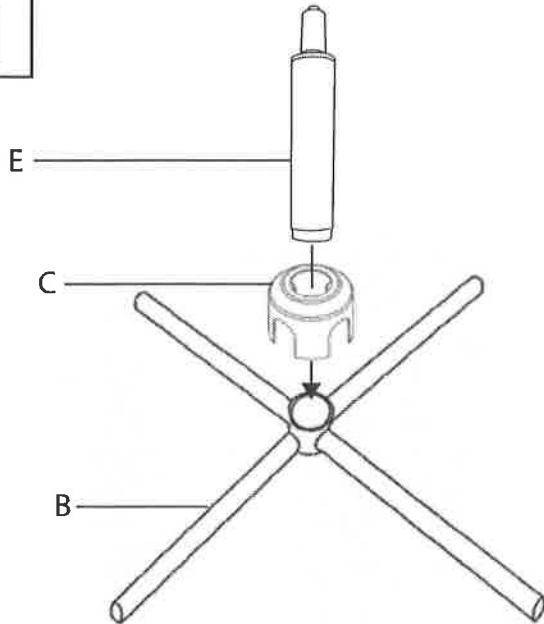
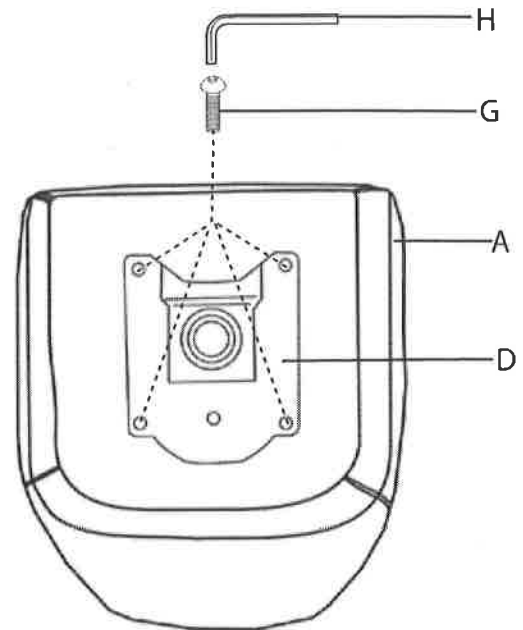
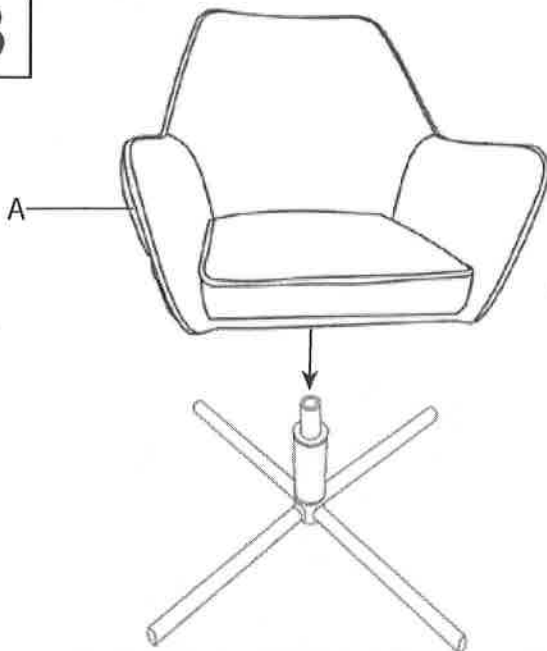
E



F

x4
(M6 X 20mm)

H

1**2****3****4**

Do not over tighten.
Do not use power tools to assemble.