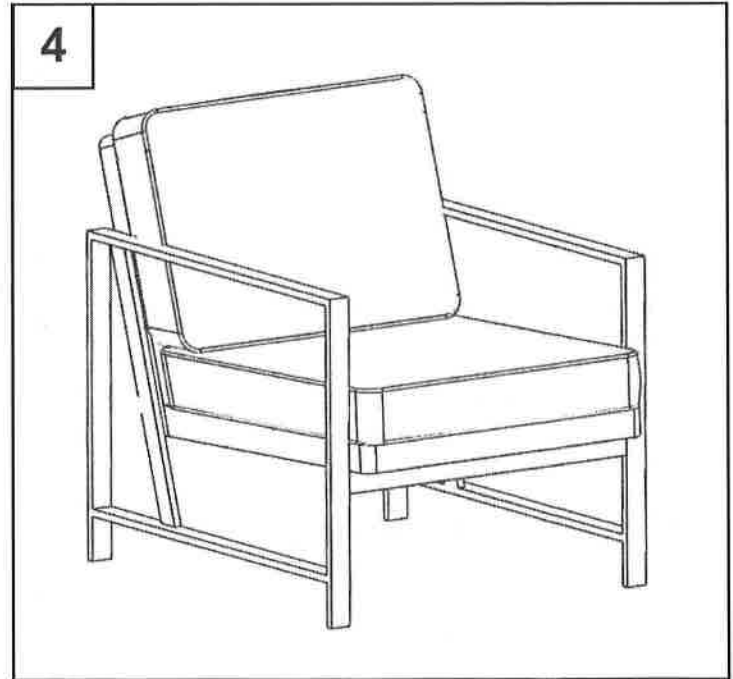
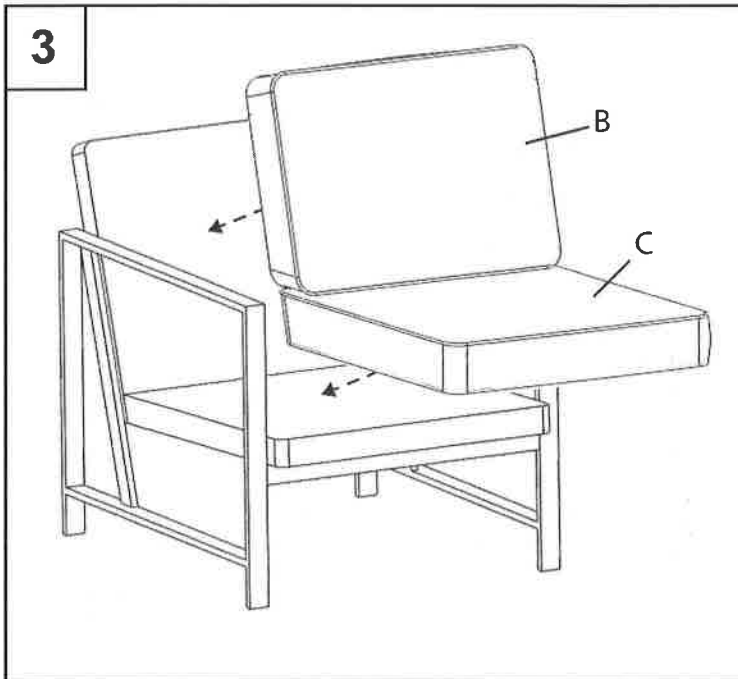
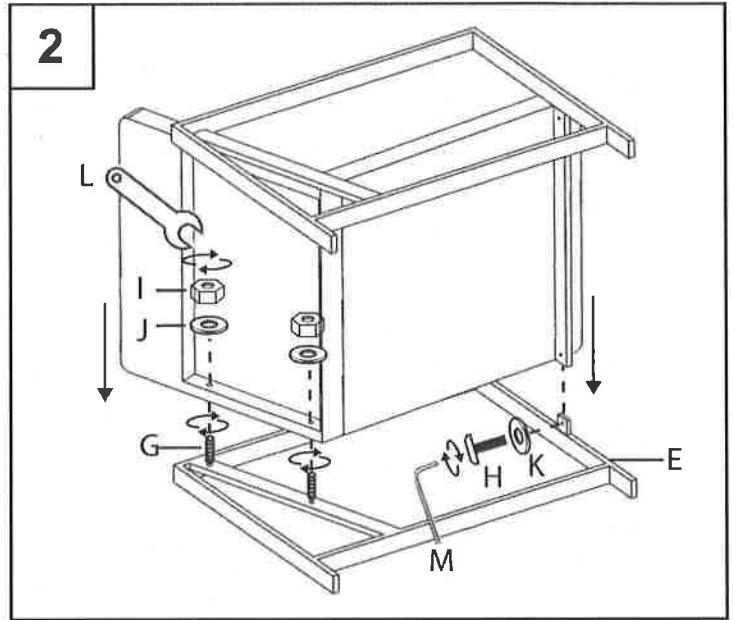
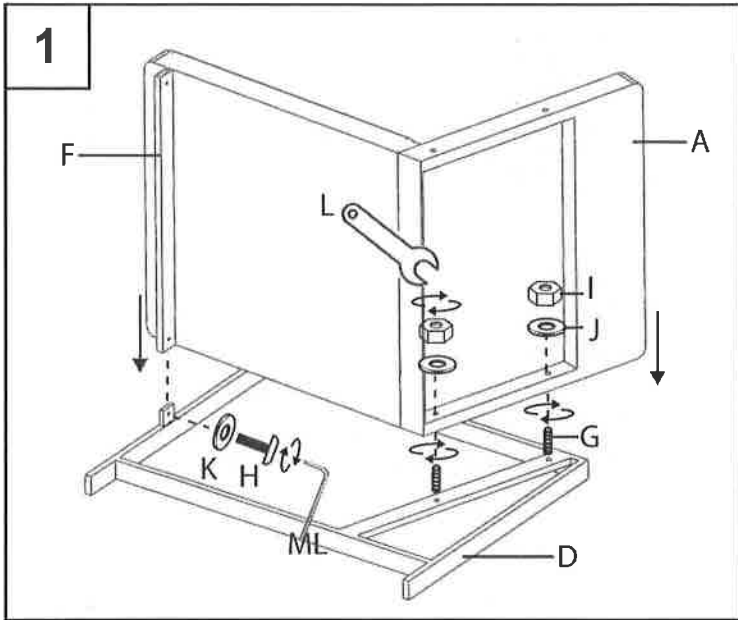
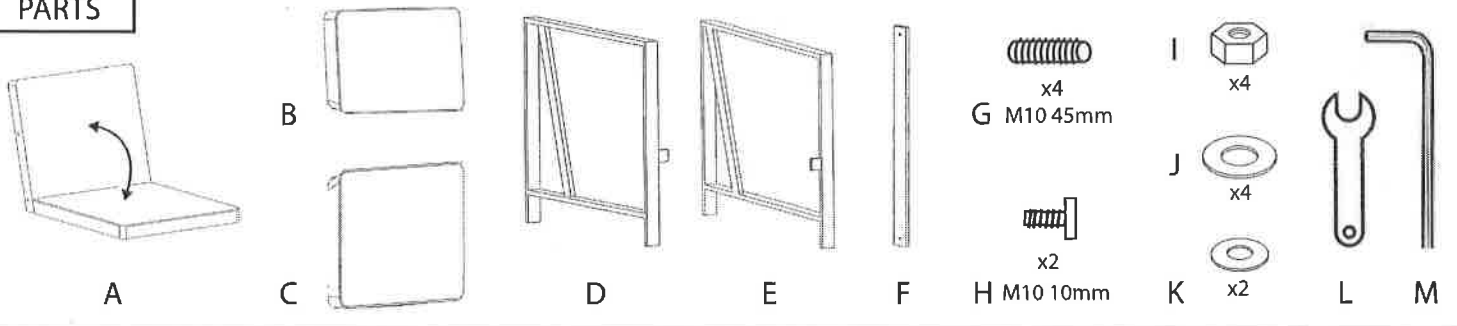


Part # CHR-FRANK XX+XX

18-0820

PARTS



Do not over tighten.
Do not use power tools to assemble.