

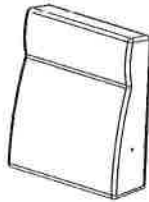
Part # CHR-NIGIRI XX+XX

18-1102

PARTS



A



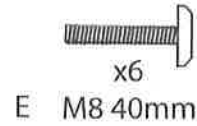
B



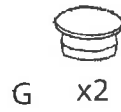
C



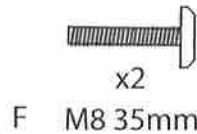
D



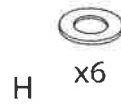
x6
E M8 40mm



G x2



x2
F M8 35mm

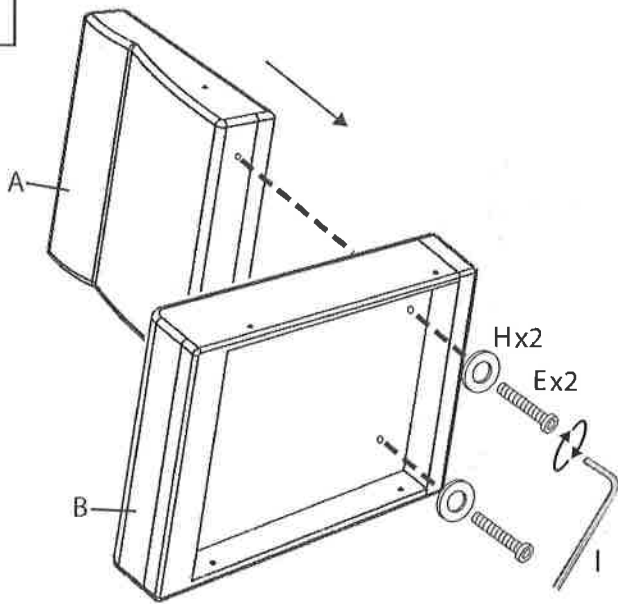


H x6

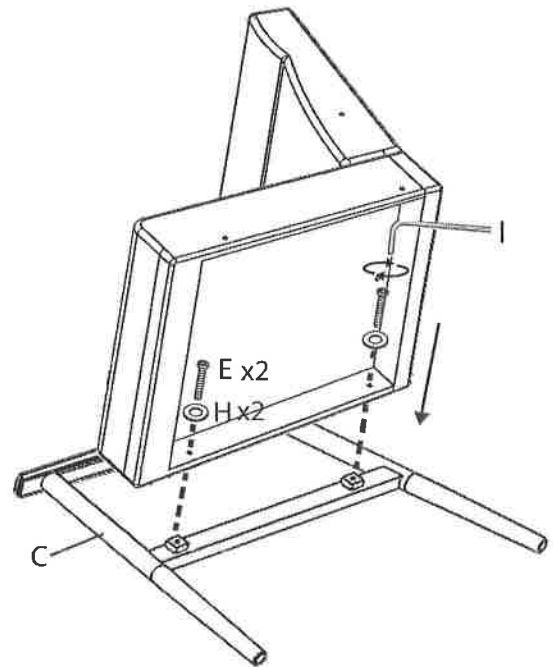


I

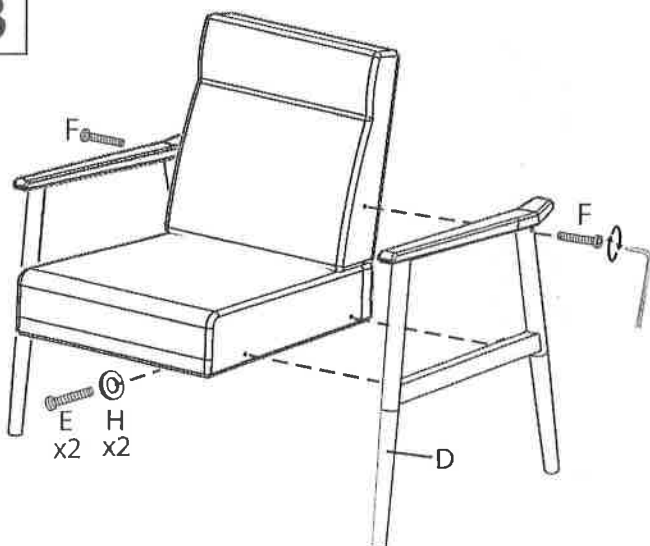
1



2



3



4

