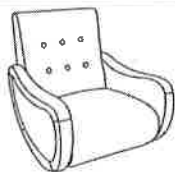


Part # CHR-RAFAEL XXXX

19-0724

PARTS



A



x2

B



x2

C

x16
(M6 x 20mm)

D



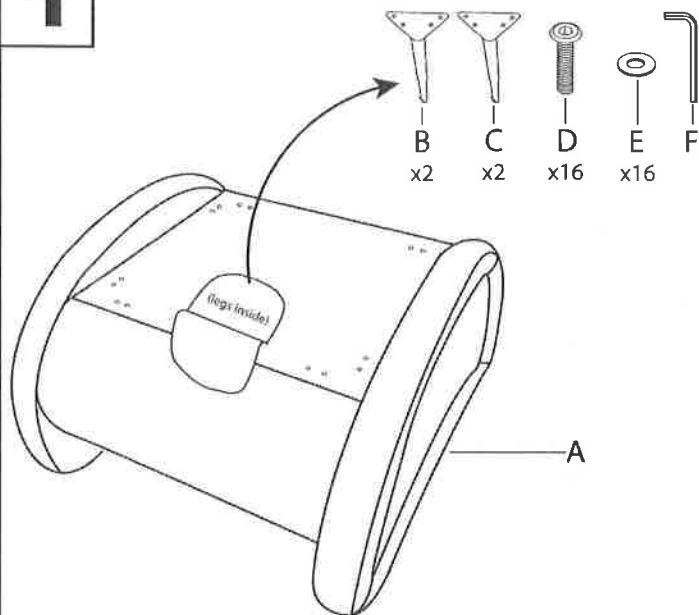
x16

E

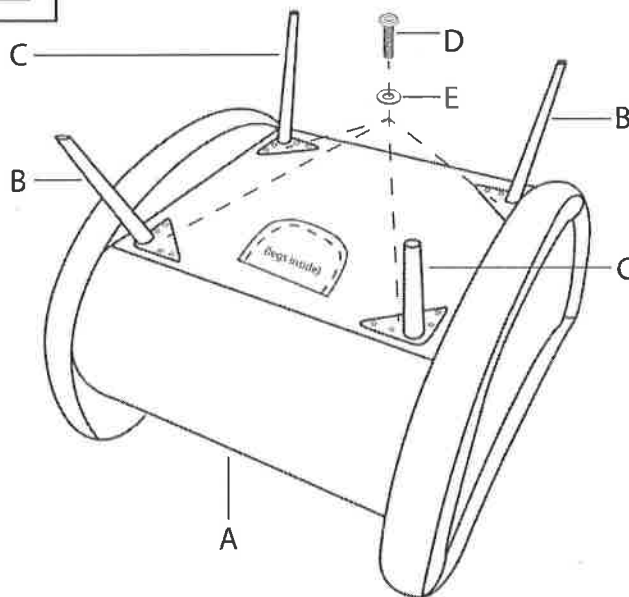


F

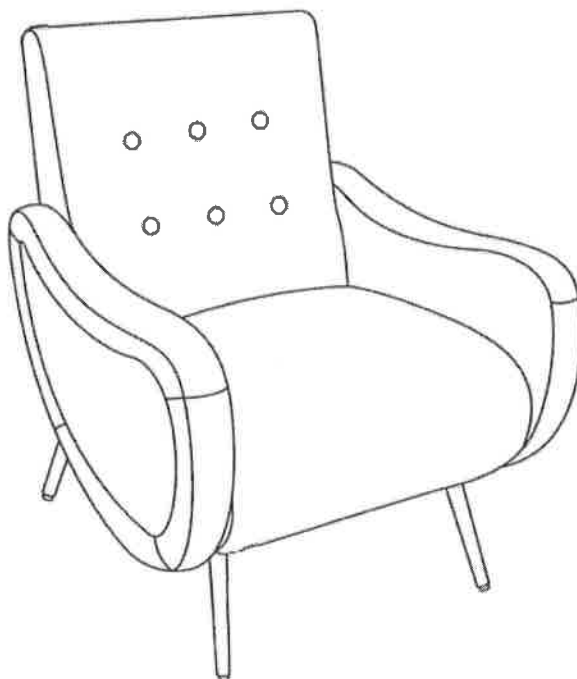
1



2



3



Do not over tighten.
Do not use power tools to assemble.