

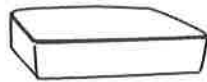
Part # CHR-RCKWLV XX

20-1202

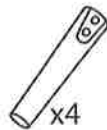
PARTS



A



B



x4

C



x8

D



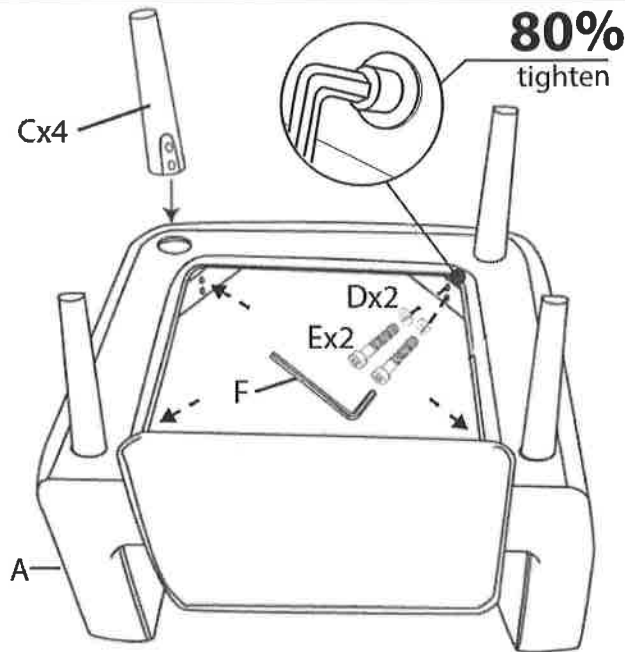
x8
(M8x70mm)

E

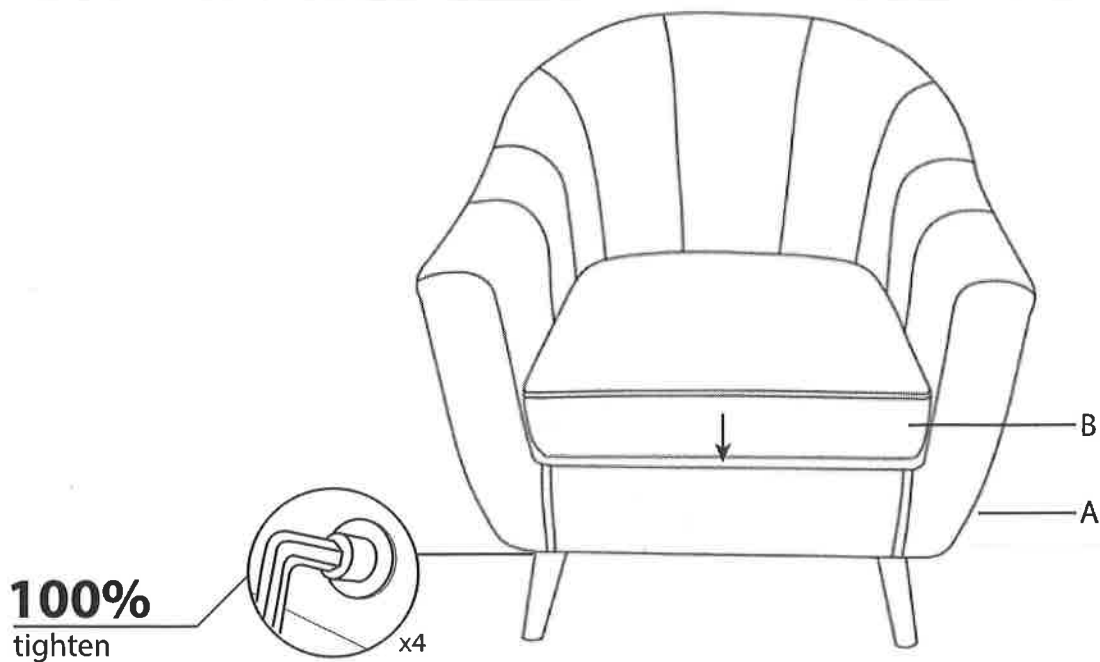


F

1



2



Do not over tighten.
 Do not use power tools to assemble.