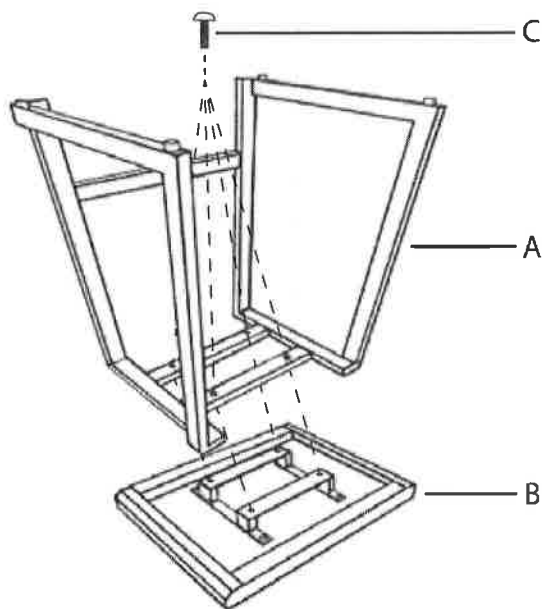


Part # CS-GEO XX+XX

20-0320

PARTS**1****2**

Do not over tighten.
Do not use power tools to assemble.