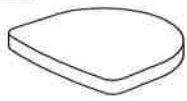


Canary Dining Chair

Part # DC-CNRY XX+XX

170510

PARTS



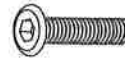
A



B



C



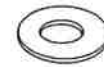
x4
(M6x25mm)

D



x4
(M6x16mm)

E



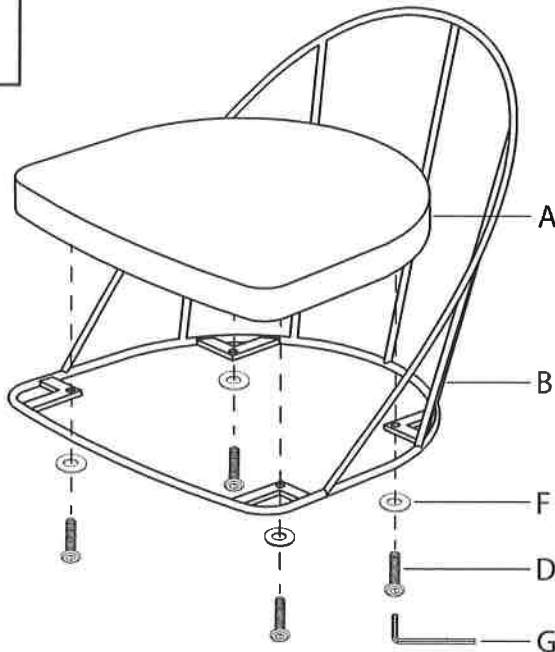
x8

F

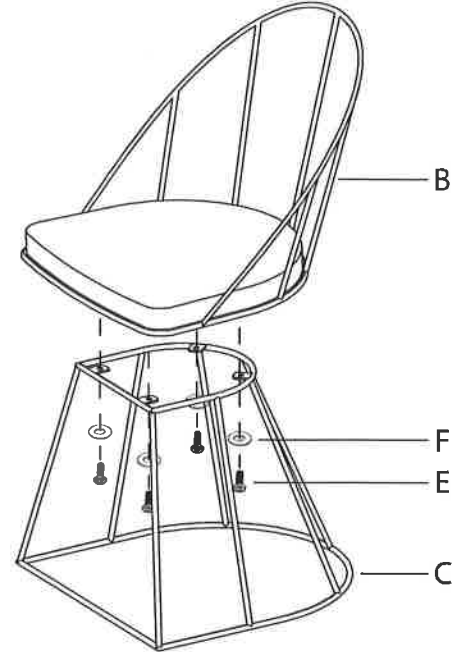


G

1



2



3



Do not over tighten.
 Do not use power tools to assemble.