

Part # DC-DUKZ XX+XX

16-1207

PARTS



A



B



C

x1
(M6x30)

D

x4
(M6x45)

E



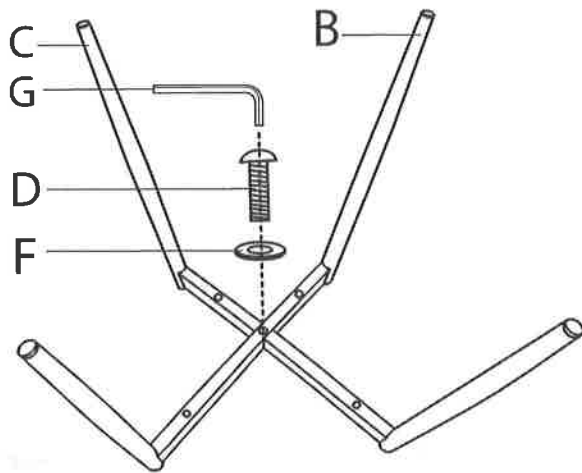
x5

F

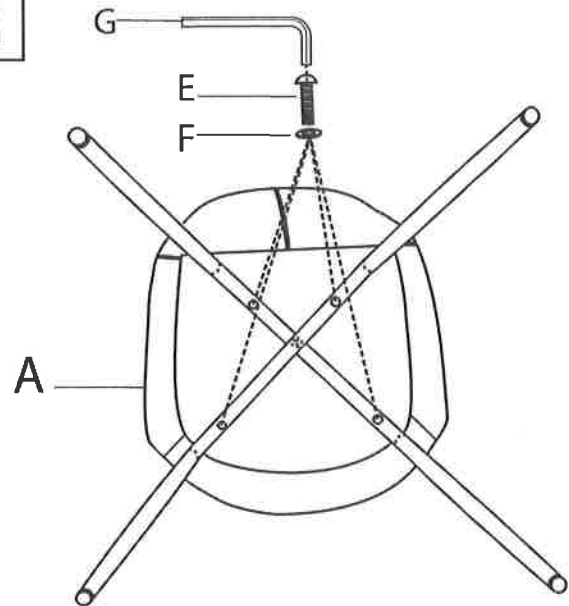


G

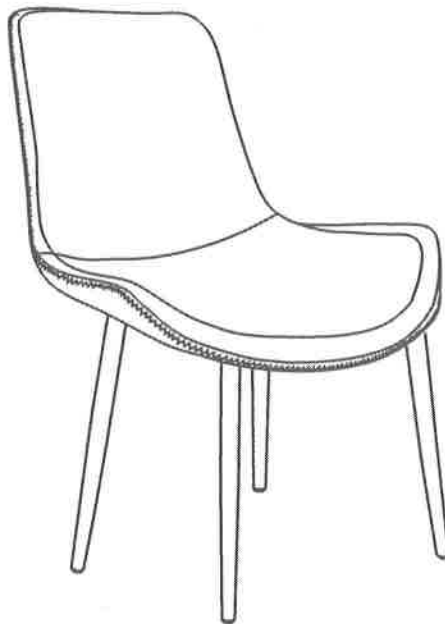
1



2



3



Do not over tighten.
Do not use power tools to assemble.