

Part # DC-MARCL XX+XX

18-1010

**PARTS**

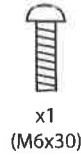
A



B



C

x1  
(M6x30)

D

x4  
(M6x45)

E

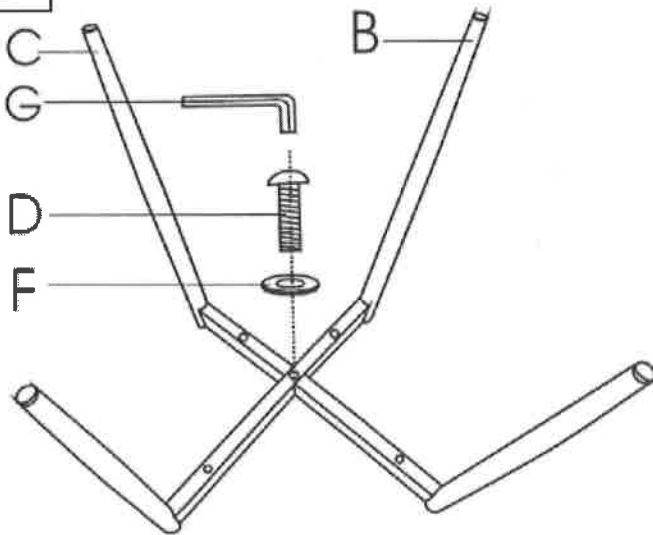
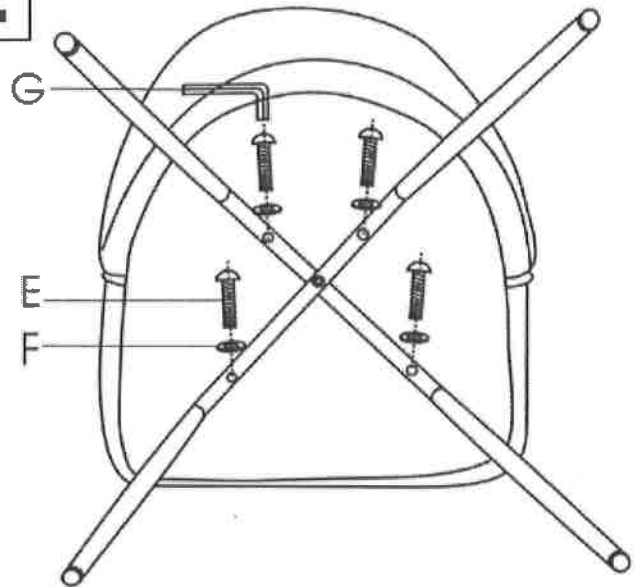


x5

F



G

**1****2****3**

Do not over tighten.  
Do not use power tools to assemble.