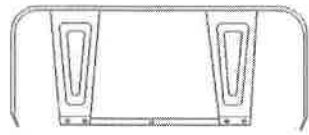


Part # BC-OR XX+XX

18-0404

PARTS

A



B



C



x4

D



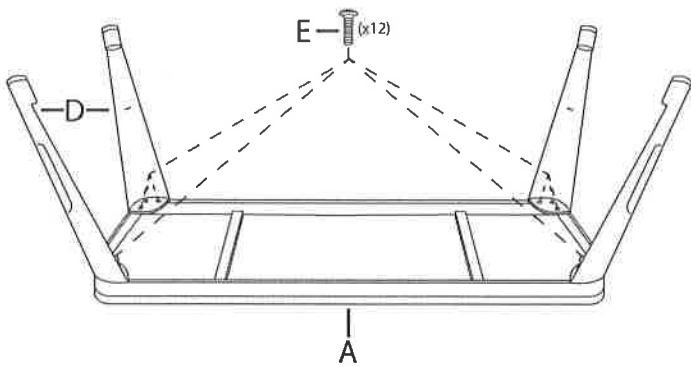
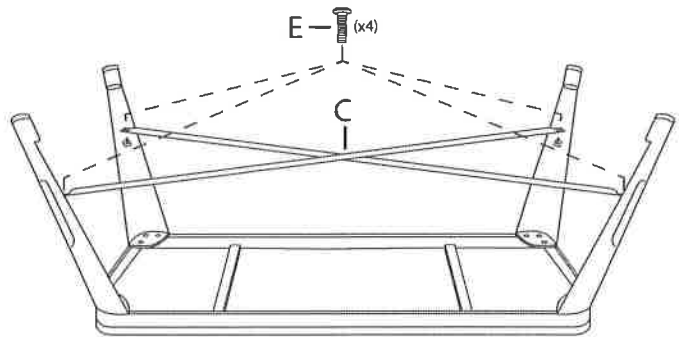
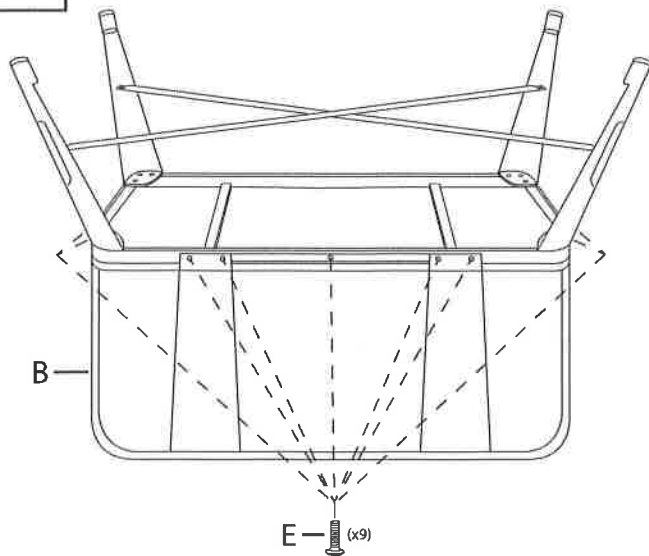
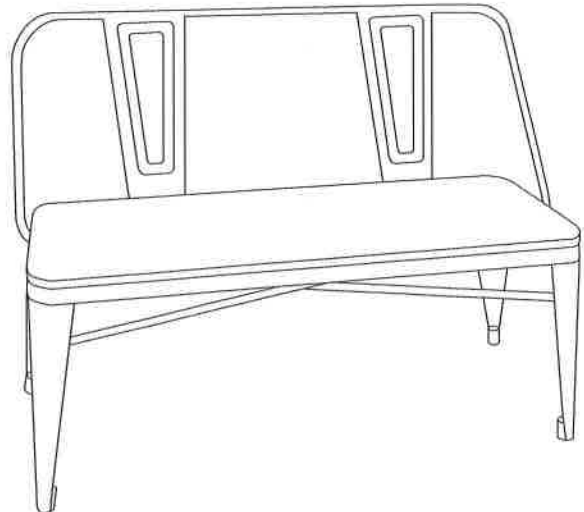
x25

(m6 x 16mm)

E



F

1**2****3****4**

Do not over tighten.
Do not use power tools to assemble.