

DAKOTA DINING TABLE

Part # DT-DKTA XX

2018.11.28

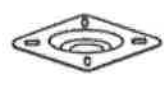
PARTS



Ax1



Bx1



Cx1



Dx1



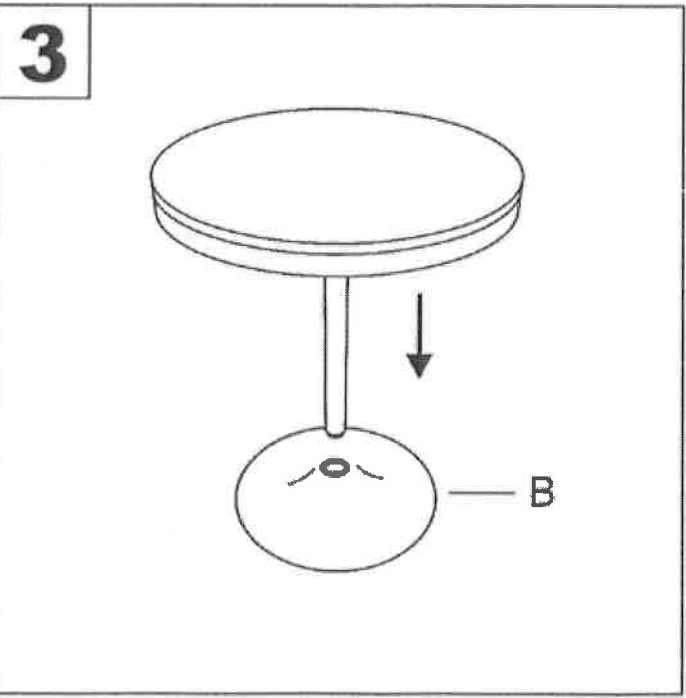
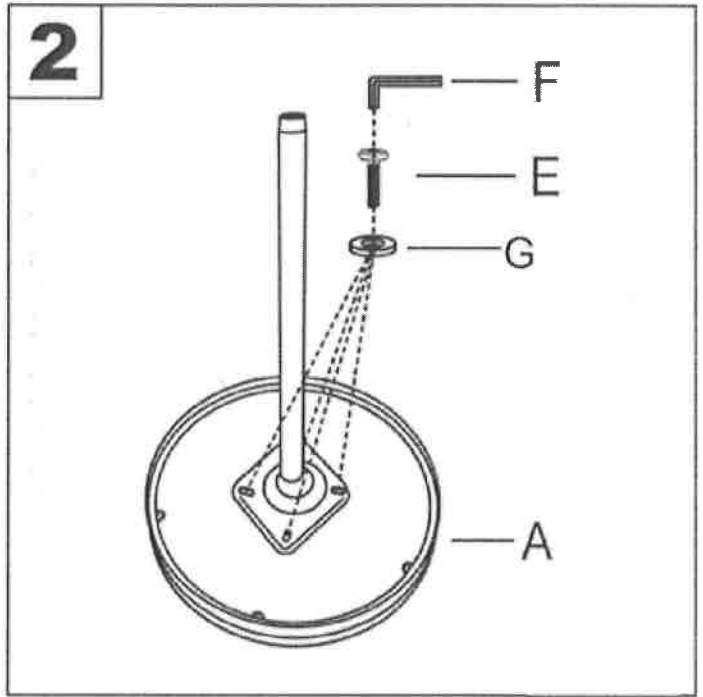
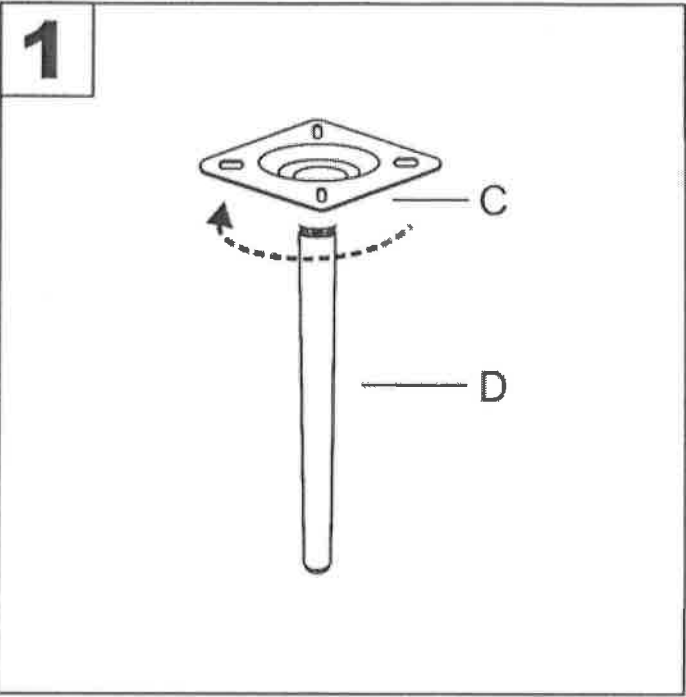
M6x16mm
Ex4



Fx1



Gx4



Do not over tighten.
Do not use power tools to assemble.