

FOLIA TABLE

Part # DT-FOLIA XX

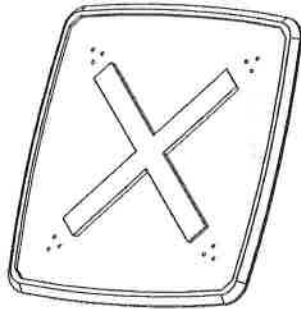
17-0516

PARTS



x4

A



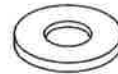
B



M8 x 25mm

x12

C

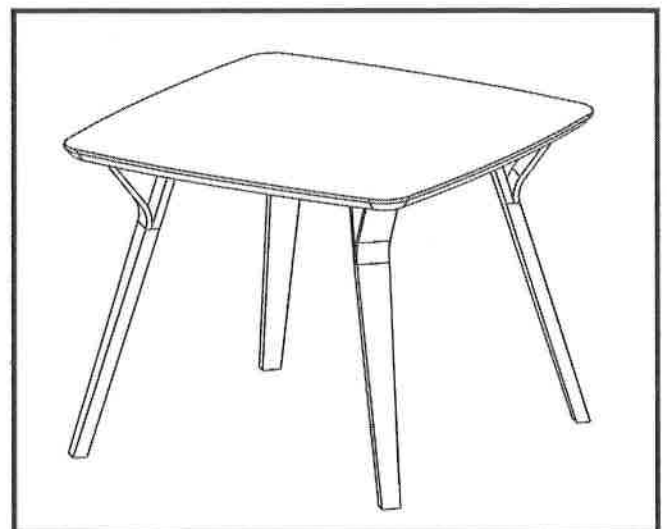
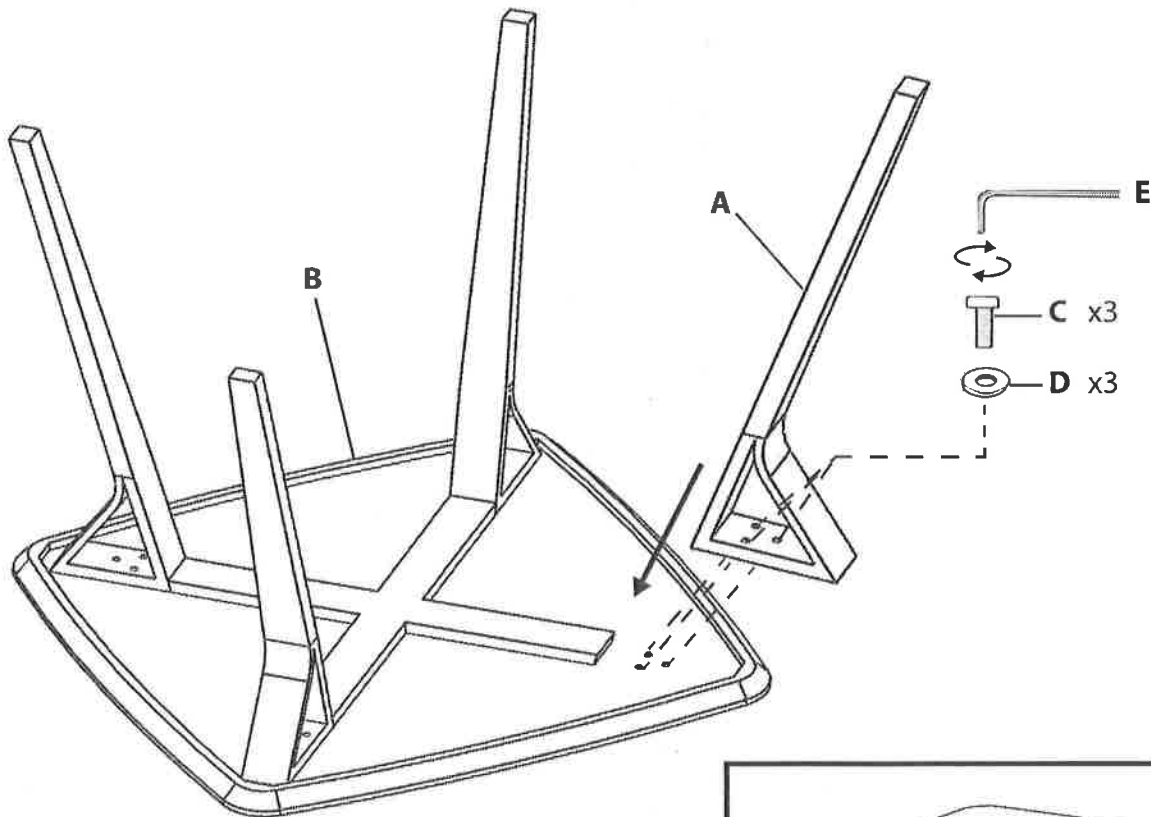


x12

D



E



Do not over tighten.
Do not use power tools to assemble.