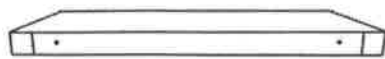
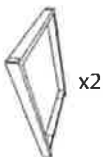


Part # T36-ODESA XX+XX

19-0730

PARTS

A



x2

B



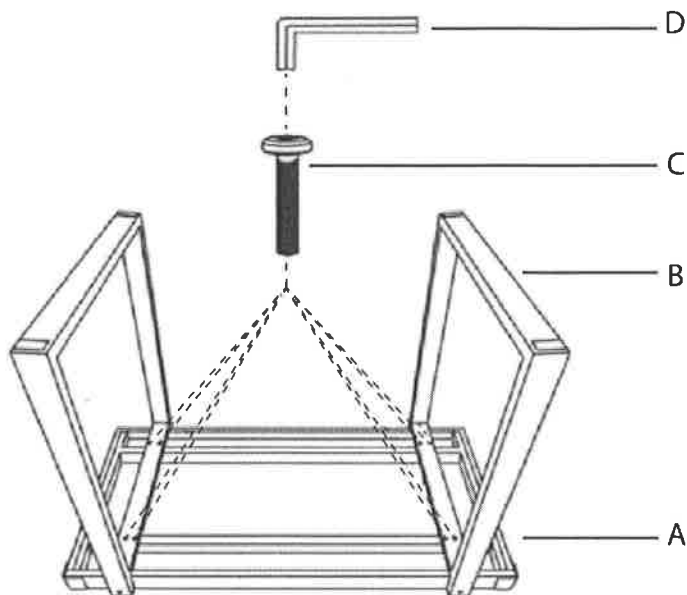
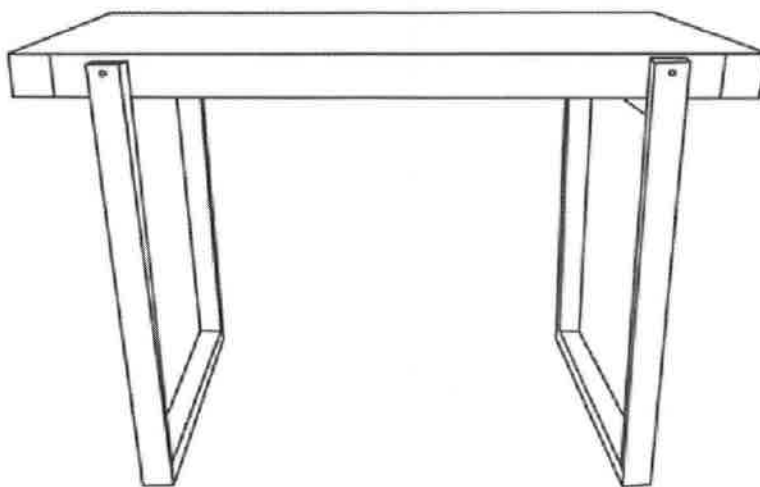
(M6x44mm)

x8

C



D

1**2**

Do not over tighten.
Do not use power tools to assemble.