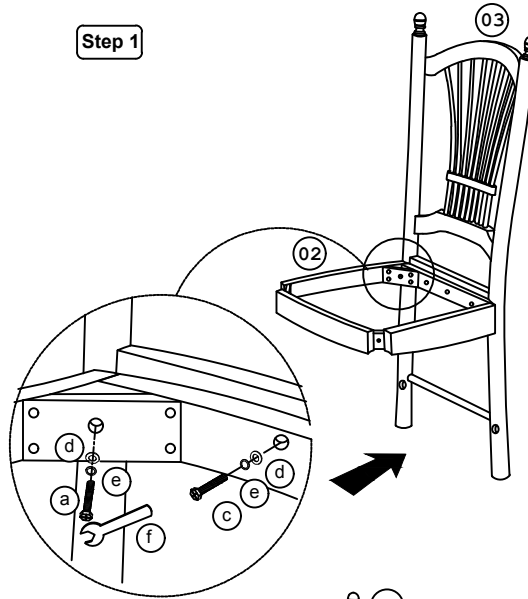
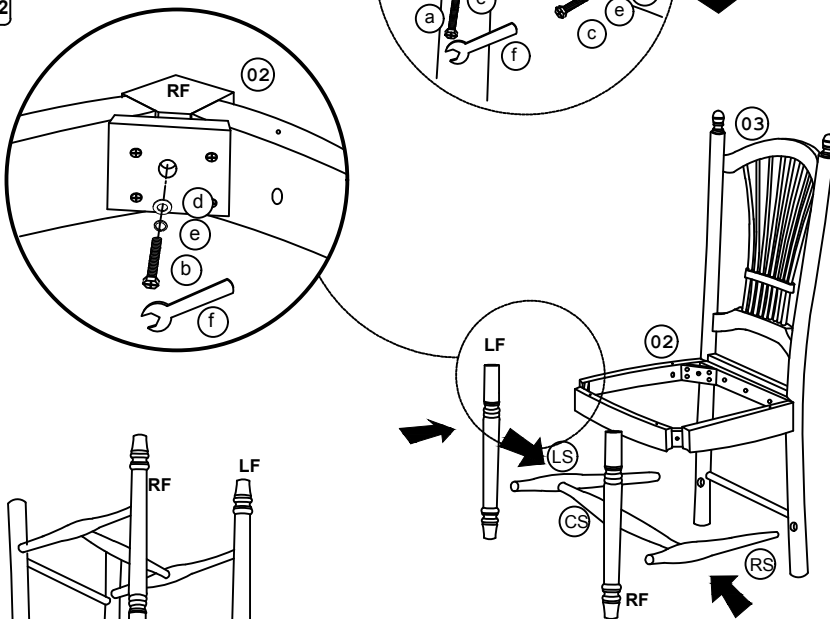


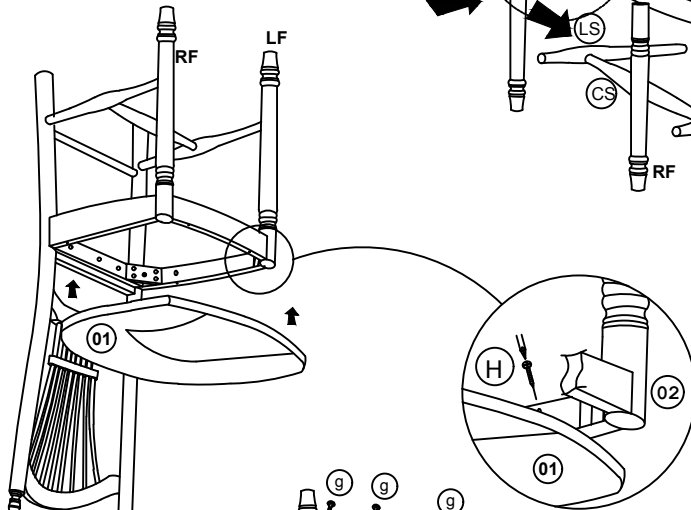
Step 1



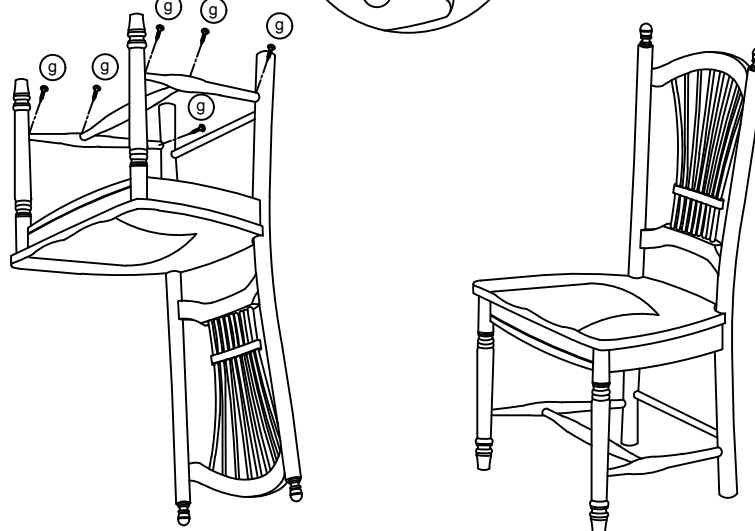
Step 2



Step 3



Step 4



List of Parts For 1 Set

Code	Figure	Part	Qty.
01		Seat Board	1
02		Seat Frame	1
03		Back Frame	1
04		Right Front Leg (RF)	1
05		Left Front Leg (LF)	1
06		Right Stretcher (RS)	1
07		Left Stretcher (LS)	1
08		Center Stretcher (CS)	1

List of Hardware For 1 Set

Code	Figure	Hardware	Qty.
a		Hex. Bolt 80mm	2
b		Hex. Bolt 60mm	2
c		Hex. Bolt 40mm	3
d		Flat Washer	7
e		Spring Washer	7
f		Spanner	1
g		PHRS Screw # 8 x 1 1/4"	6
h		PHRS Screw # 8 x 1"	4

IMPORTANT NOTES:

- Keep all hardware and small parts out of reach of children.
- Remove all staples and packing straps before you start to assemble.
- Do not discard main cartons and wrapping material until assembly is complete.
- Check to be sure you have all parts and hardware.
- Place all wooden parts on a clean soft surface to avoid parts from being scratched
- Do not tighten all screws / bolts until completely assembled.
- Check tightness 3x's/year, with use screws can become loose.
- Do not attempt to repair or modify parts that are broken or defective. Please contact us immediately.
- Enjoy your new furniture!

