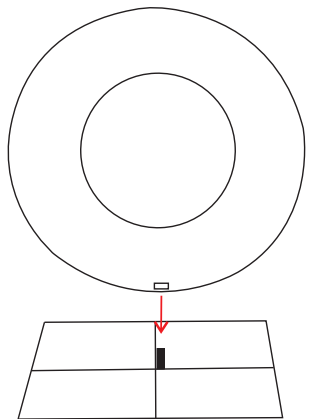
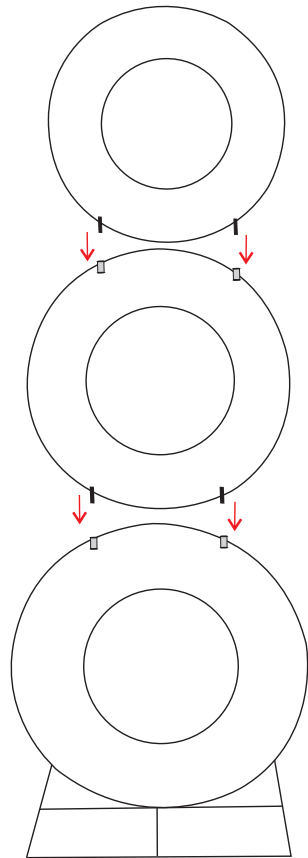


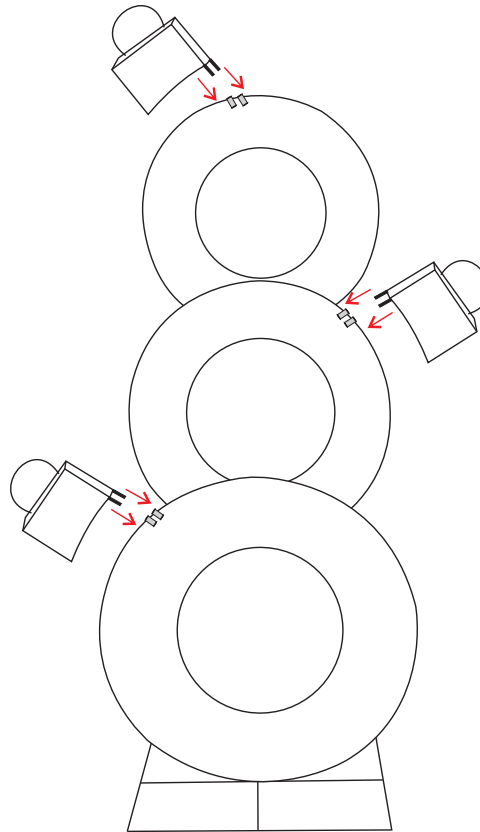
# ASSEMBLY INSTRUCTIONS



Insert the loop of the largest circle to the metal base's rod.

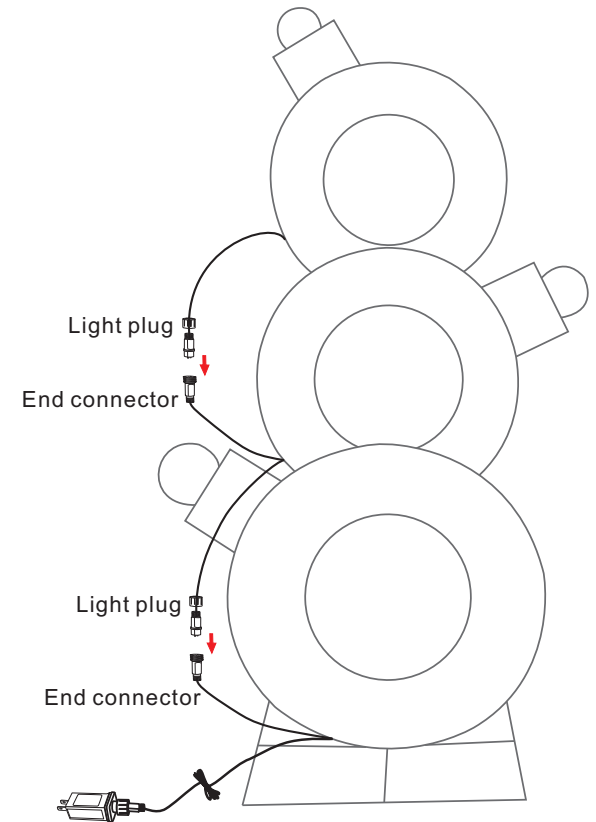


Attach the remaining ornaments together by inserting the rods into the loops of the ornament below.



Repeat the process for the ornament caps.

Use the supplied zip ties to tighten where needed.



Connect the light plugs and connectors one by one. Make sure all plugs are well connected. Using the transformer supplied, connect to a power source.

If using outdoors, secure by using the lawn stakes provided.