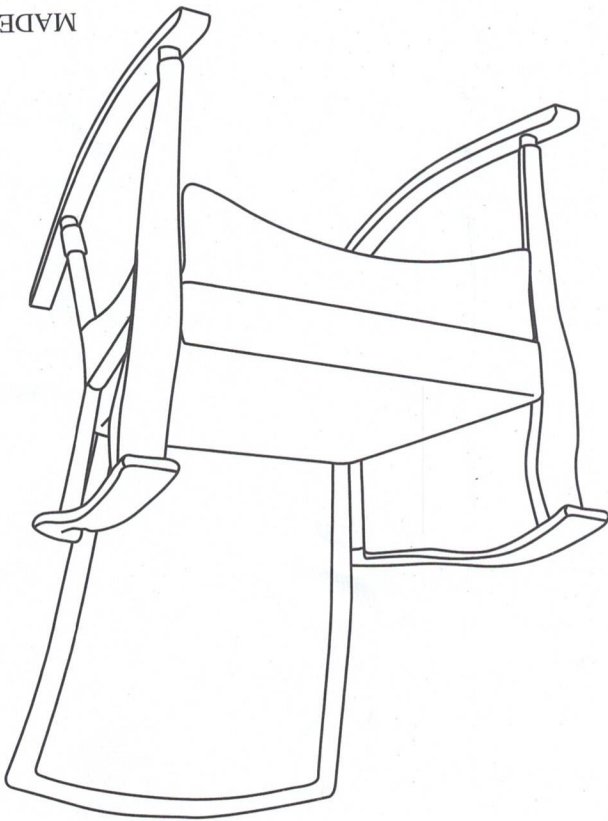



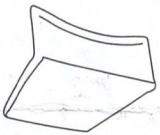

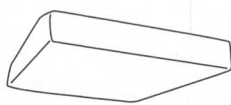


# Assembly Instruction Resin Wicker Rocker with Cushion

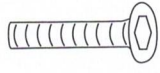


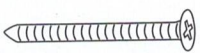
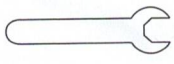
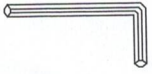


MADE IN CHINA

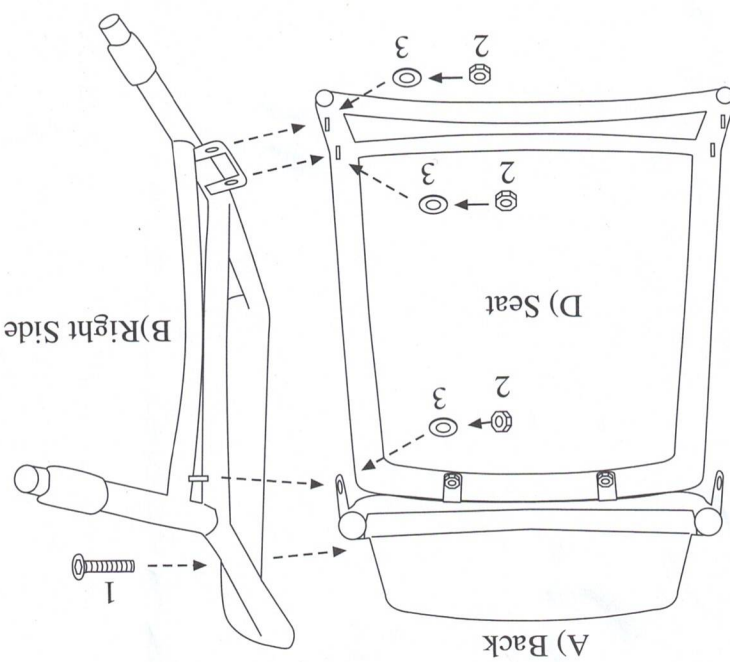
## PARTS LIST:

 <p>(A) Back Qty: 1</p>	 <p>(B) Right Side Qty: 1</p>	 <p>(C) Left Side Qty: 1</p>	 <p>(D) Seat Qty: 1</p>
 <p>(E) Runners Qty: 2</p>	 <p>(F) Runners Qty: 1</p>		

## HARDWARE LIST:

 <p>1. Bolt Qty: 2</p>	 <p>2. Nut Qty: 8</p>	 <p>3. Washer Qty: 8</p>	 <p>4. Screw Qty: 4</p>
 <p>5. Wrench Qty: 1</p>	 <p>6. Hex Wrench Qty: 1</p>		

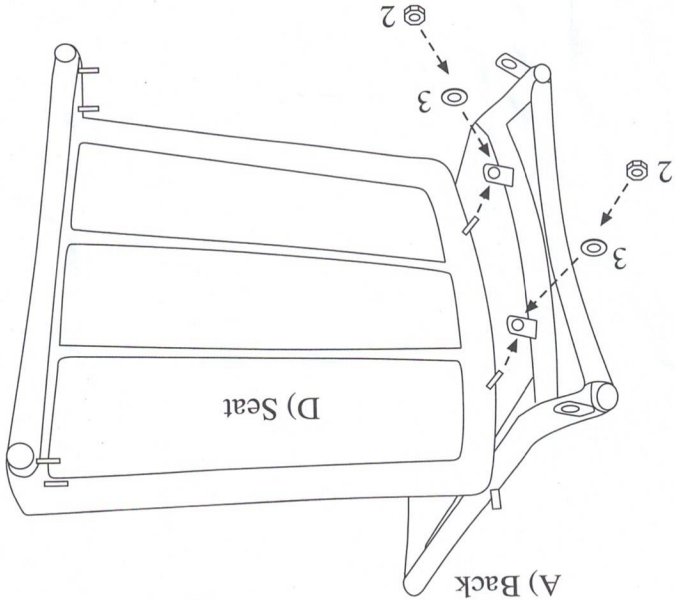
Step 2



Item	Qty	Drawing
1	1	
2	3	
3	3	

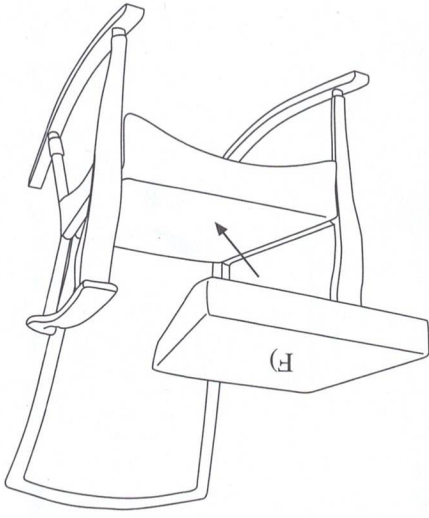
Step 1

Note: Wait to fully tighten the Nuts and Bolts until they have all been inserted in the last step. Two people might be required to align holes for fasteners.

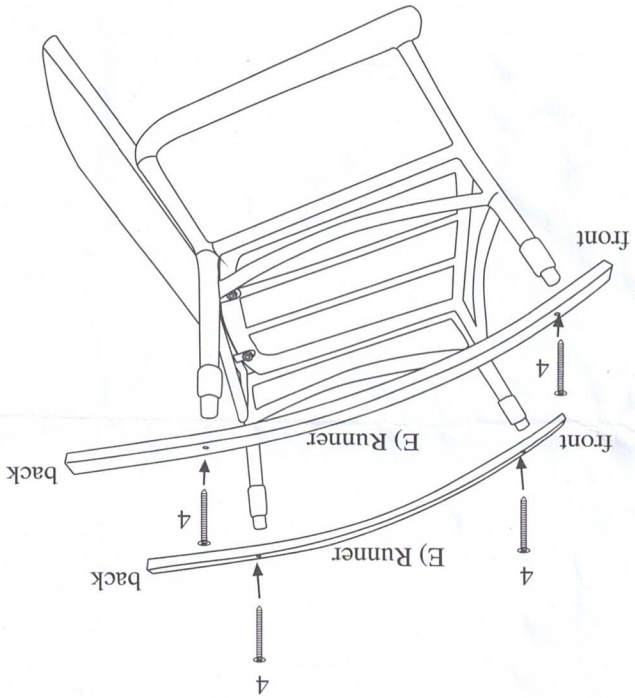


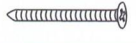
Item	Qty	Drawing
2	2	
3	2	

Step 5

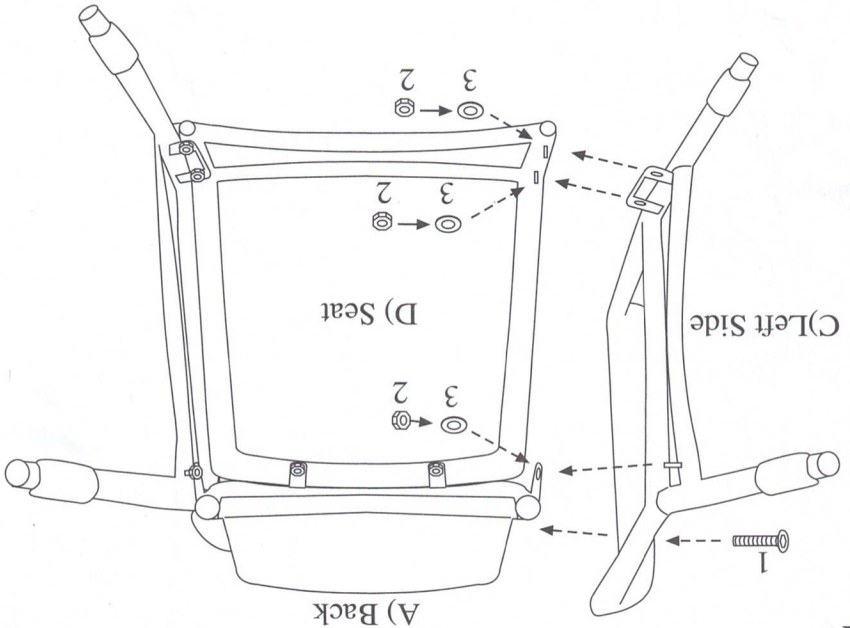


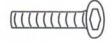


Step 4



Item	Drawing	Qty
4		4

Step 3



Item	Drawing	Qty
1		1
2		3
3		3