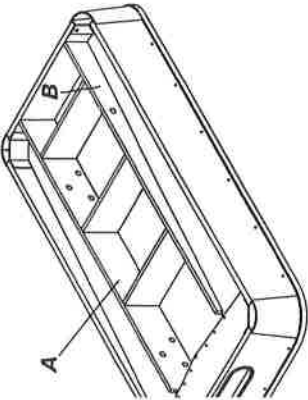



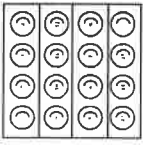



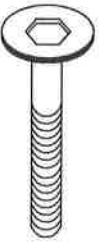
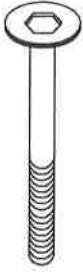
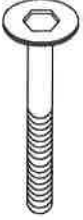
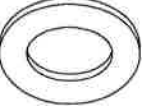
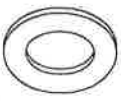



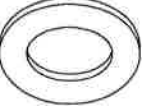


PARTS IDENTIFIER

 <p>A</p> <p>LONG RAIL, A 1pc</p>	<p>B</p> <p>LONG RAIL, B 1pc</p>
<p>MAIN ASSEMBLY 1set</p>	
<p>P3</p>  <p>LEG 4pcs</p>	<p>P4</p>  <p>LEG SIDE PANEL 2pcs</p>
<p>A2</p>  <p>BRUSH 1pc</p>	<p>A3</p>  <p>BILLIARD BALL 1set</p>
<p>A5</p>  <p>TRIANGLE 1pc</p>	<p>A6</p>  <p>SMALL ALLEN KEY 1pc</p>

PARTS IDENTIFIER

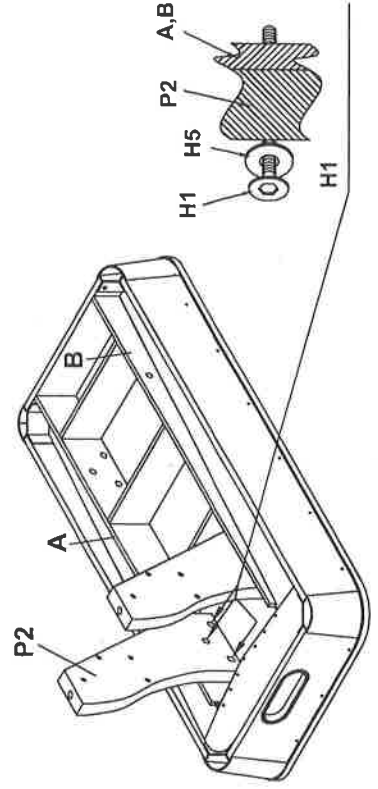
<p>A7</p>  <p>WRENCH 1pc</p>	<p>H1</p>  <p>5/16"X2-1/8 BOLT 12pcs</p>
<p>H2</p>  <p>1/4"X2-1/2" BOLT 8pcs</p>	<p>H3</p>  <p>1/4"X2-1/4" BOLT 8pcs</p>
<p>H5</p>  <p>5/16"BLACK FLAT WASHER 12pcs</p>	<p>H6</p>  <p>1/4"BLACK FLAT WASHER 24pcs</p>
<p>H8</p>  <p>LEG LEVELER 4pcs</p>	<p>H7</p>  <p>CYLINDRICAL NUT 8 pcs</p>
<p>H4</p>  <p>1/4" LOCK HEX NUT 8pcs</p>	<p>H5</p>  <p>5/16"BLACK FLAT WASHER 12pcs</p>

ASSEMBLY INSTRUCTIONS

POOL TABLE ASSEMBLY

WARNING:TWO ADULTS NEEDED TO ASSEMBLE POOL TABLE

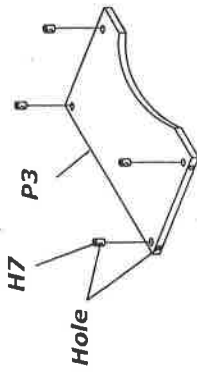
1. Using bolts **H1** and washers **H5**. Attach leg **P2** to long rail section **A & B**.



Bosch 8ft

ASSEMBLY INSTRUCTIONS POOL TABLE ASSEMBLY

WARNING: TWO ADULTS NEEDED TO ASSEMBLE POOL TABLE



2. Insert the nut **H7** into the hole of the end panels **P3**. The hole of the nut align the hole of the panel. see the **FIGURE**
3. Attach the end leg panels **P3** to the **INSIDE** surface of legs **P2** using 1/4" bolts **H2**, washers **H6** (The threaded barrel are pre-assembled in the end leg panels **P3**)
4. Attach the leg side panels **P4** to the **INSIDE** surface of legs **P2** using 1/4" bolts **H3**, washers **H6** and lock hex nuts **H4**.
5. Screw leg levelers **H8** into bottom of legs **P2**.

