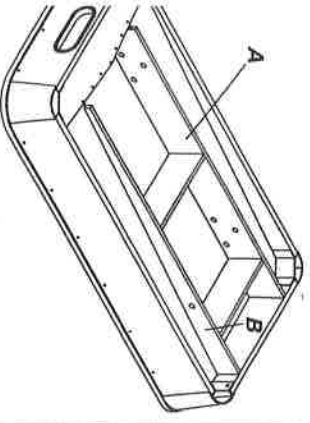


PARTS IDENTIFIER

 <p>MAIN ASSEMBLY 1set</p>	A	LONG RAIL, A 1pc	
	B	LONG RAIL, B 1pc	
P3	LEG END PANEL 2pcs	P4	LEG SIDE PANEL 2pcs
A2	BILLIARD BALL 1set	A3	CHALK 2pcs
A5	TRIANGLE 1pc	A6	SMALL ALLEN KEY 1pc
BRUSH 1pc			
QUE STICK 2pcs			

PARTS IDENTIFIER

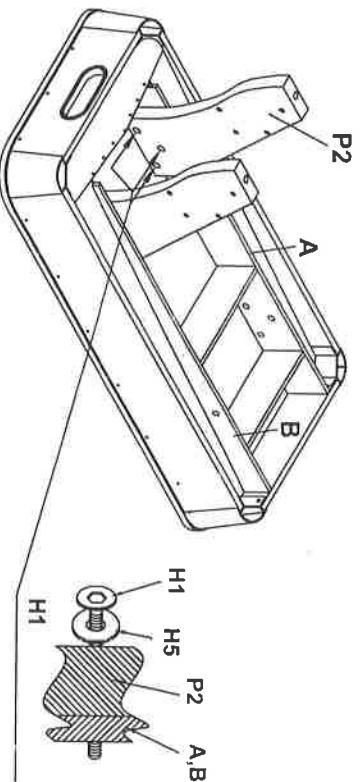
A7	WRENCH 1pc	H1	5/16"x1-5/8 BOLT 12pcs
H2	1/4"x2-1/8" BOLT 8pcs	H3	1/4"x1-3/4" BOLT 8pcs
H5	5/16"BLACK FLAT WASHER 12pcs	H4	1/4" LOCK HEX NUT 8pcs
H6	1/4"BLACK FLAT WASHER 24pcs	H7	CYLINDRICAL NUT 8 pcs
H8	LEG LEVELER 4pcs		

ASSEMBLY INSTRUCTIONS

POOL TABLE ASSEMBLY

WARNING: TWO ADULTS NEEDED TO ASSEMBLE POOL TABLE

1. Using bolts **H1** and washers **H5**. Attach leg **P2** to long rail section **A & B**.



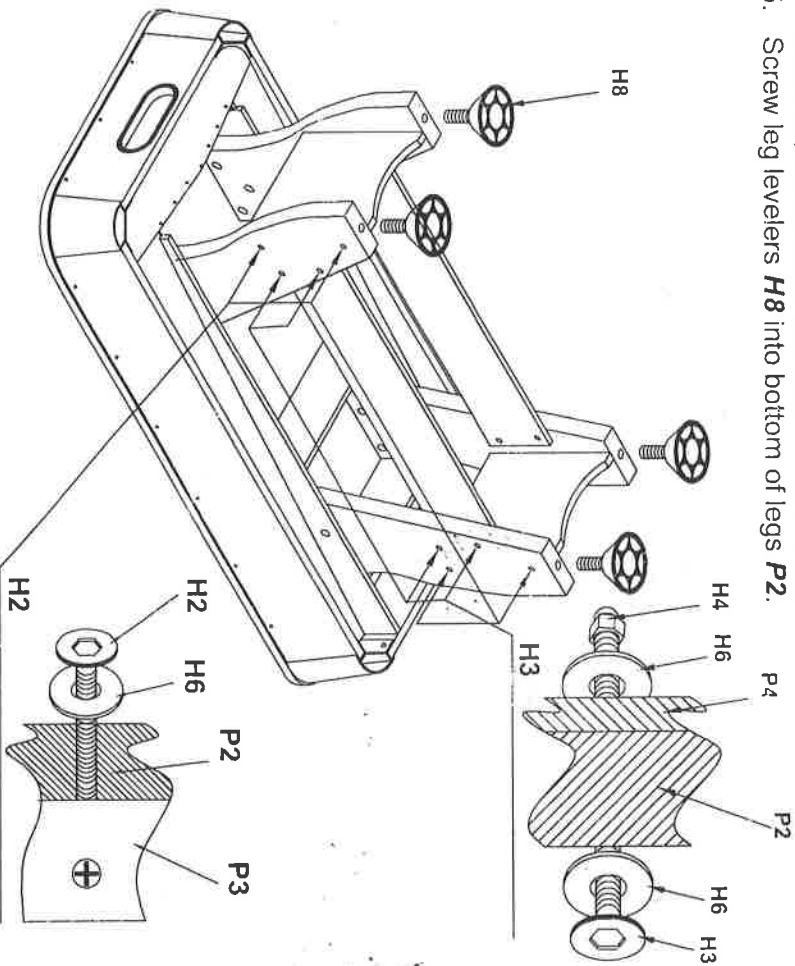
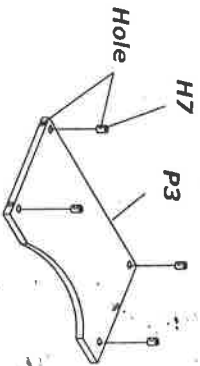
B058-6ft

ASSEMBLY INSTRUCTIONS

POOL TABLE ASSEMBLY

WARNING: TWO ADULTS NEEDED TO ASSEMBLE POOL TABLE

2. Insert the nut **H7** into the hole of the end panels **P3**. The hole of the nut align the hole of the panel. see the **FIGURE**
3. Attach the end leg panels **P3** to the **INSIDE** surface of legs **P2** using 1/4" bolts **H2**, washers **H6** (The threaded barrel are pre-assembled in the end leg panels **P3**)
4. Attach the leg side panels **P4** to the **INSIDE** surface of legs **P2** using 1/4" bolts **H3**, washers **H6** and lock hex nuts **H4**.
5. Screw leg levelers **H8** into bottom of legs **P2**.



8058